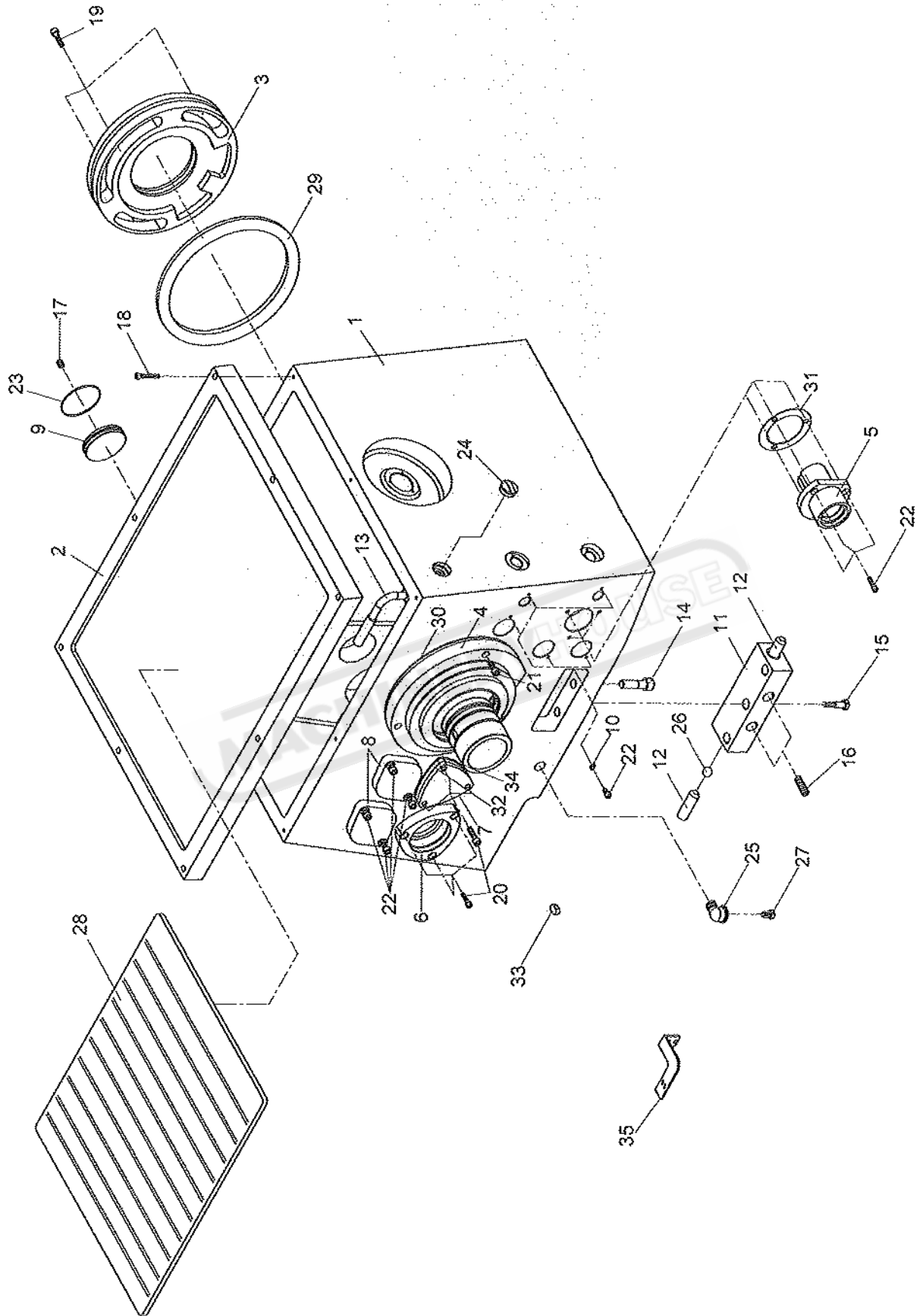


PARTS LIST

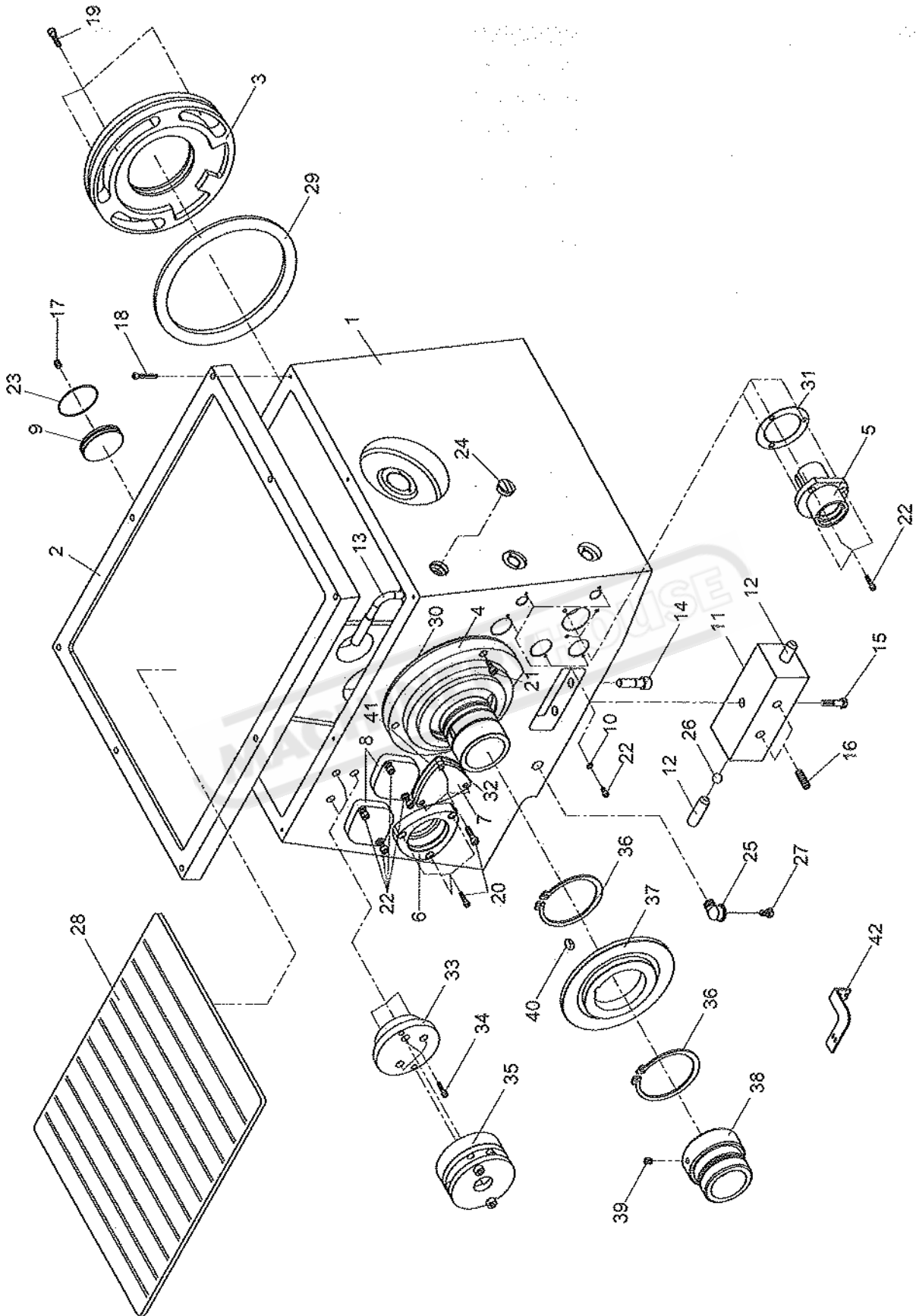
MA

HEADSTOCK : CASTING



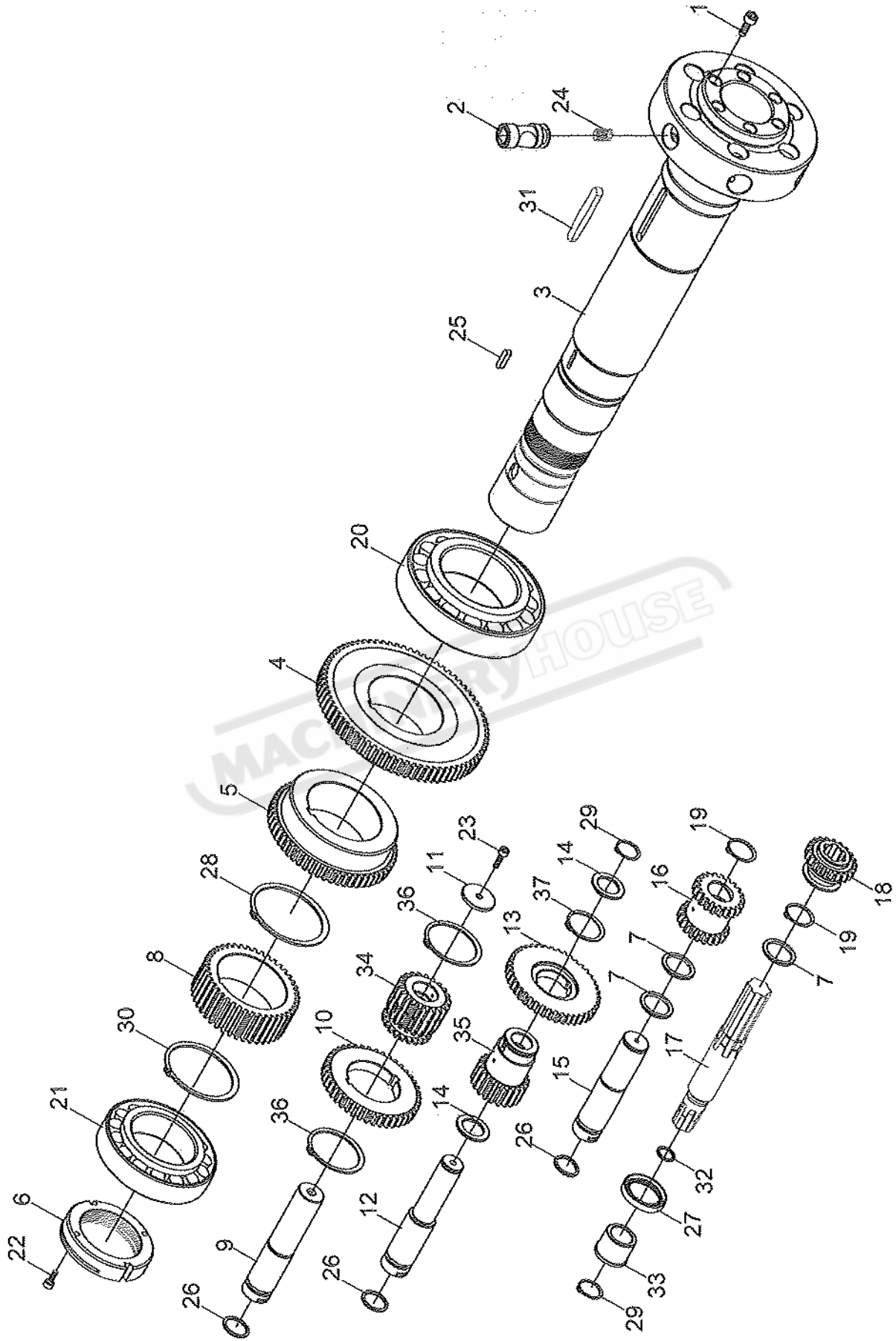
| <u>NO.</u> | <u>PART NO.</u> | <u>DESCRIPTION</u> | <u>QUANTITY</u> |
|------------|-----------------|------------------------------------|-----------------|
| 1. | C-1001 | Headstock Casting | 1 |
| 2. | C-1002 | Headstock Cover | 1 |
| 3. | C-1003 | Front Bearing Cover | 1 |
| 4. | C-1004 | Rear Bearing Cover | 1 |
| 5. | C-1005 | Flanged Bearing | 1 |
| 6. | C-1006 | Bearing Housing | 1 |
| 7. | C-1007-2 | Cover | 1 |
| 8. | C-1008 | Cover | 2 |
| 9. | C-1009 | Bore Plugs | 3 |
| 10. | R-1030 | Washers | 5 |
| 11. | C-1011 | Set-Over Pad | 1 |
| 12. | C-1012 | Pins | 2 |
| 13. | C-1154 | Pipe | 1 |
| 14. | A-1241 | Socket Head Cap Screw (M12x35) | 4 |
| 15. | A-1424 | Hexagon Head Bolt (M10x30) | 3 |
| 16. | A-1113 | Socket Headless Set Screw (M12x20) | 2 |
| 17. | A-1108 | Socket Headless Set Screw (M10x10) | 3 |
| 18. | A-1209 | Socket Head Cap Screw (M6x45) | 8 |
| 19. | A-1207 | Socket Head Cap Screw (M6x35) | 3 |
| 20. | A-1205 | Socket Head Cap Screw (M6x25) | 6 |
| 21. | A-1204 | Socket Head Cap Screw (M6x20) | 3 |
| 22. | A-1202 | Socket Head Cap Screw (M6x12) | 11 |
| 23. | A-6021 | O-Ring (G55) | 3 |
| 24. | A-9502 | Oil Sight (ϕ 32) | 1 |
| 25. | A-1127 | Elbow (3/4"PT) | 1 |
| 26. | A-9205 | Ball (ϕ 3/8") | 2 |
| 27. | A-1121 | Plug (3/8"PT) | 1 |
| 28. | C-1002-1 | Foam Plate | 1 |
| 29. | C-1003-1 | Gasket | 1 |
| 30. | C-1004-1 | Gasket | 1 |
| 31. | C-1005-1 | Gasket | 1 |
| 32. | C-1007-1 | Gasket | 1 |
| 33. | A-7269 | Key (12x8x20) | 1 |
| 34. | C-1007 | Gasket | 1 |
| 35. | C-3089 | Frame | 1 |

HEADSTOCK : CASTING(MAGNETIC BRAKE SYSTEM-OPTION)



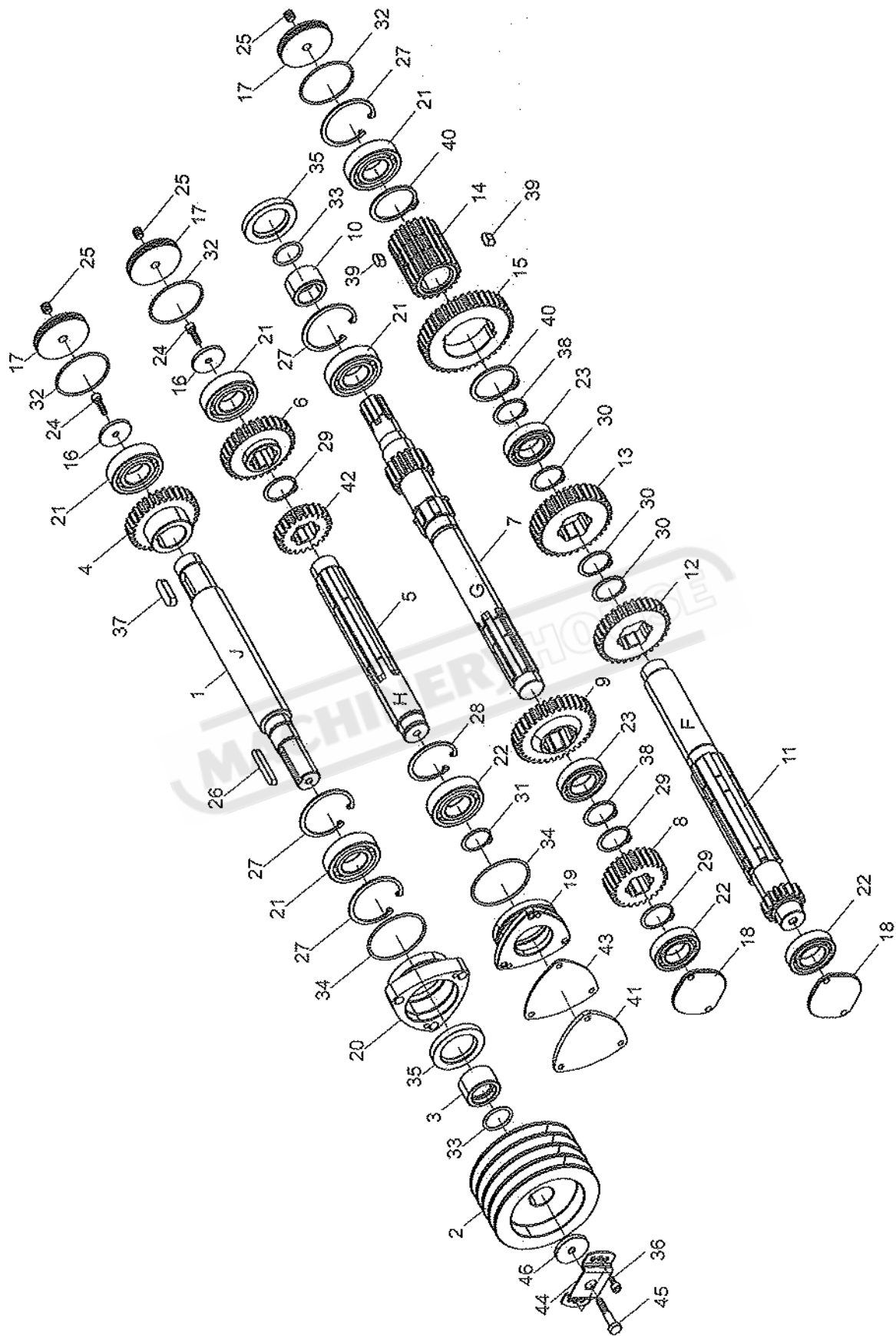
| <u>NO.</u> | <u>PART NO.</u> | <u>DESCRIPTION</u> | <u>QUANTITY</u> |
|------------|-----------------|------------------------------------|-----------------|
| 1. | C-1001 | Headstock Casting | 1 |
| 2. | C-1002 | Headstock Cover | 1 |
| 3. | C-1003 | Front Bearing Cover | 1 |
| 4. | C-1004 | Rear Bearing Cover | 1 |
| 5. | C-1005 | Flanged Bearing | 1 |
| 6. | C-1006 | Bearing Housing | 1 |
| 7. | C-1007-2 | Cover | 1 |
| 8. | C-1008 | Cover | 2 |
| 9. | C-1009 | Bore Plugs | 3 |
| 10. | R-1030 | Washers | 5 |
| 11. | C-1011 | Set-Over Pad | 1 |
| 12. | C-1012 | Pins | 2 |
| 13. | C-1154 | Pipe | 1 |
| 14. | A-1241 | Socket Head Cap Screw (M12x35) | 4 |
| 15. | A-1424 | Hexagon Head Bolt (M10x30) | 3 |
| 16. | A-1113 | Socket Headless Set Screw (M12x20) | 2 |
| 17. | A-1108 | Socket Headless Set Screw (M10x10) | 3 |
| 18. | A-1209 | Socket Head Cap Screw (M6x45) | 8 |
| 19. | A-1207 | Socket Head Cap Screw (M6x35) | 3 |
| 20. | A-1205 | Socket Head Cap Screw (M6x25) | 6 |
| 21. | A-1204 | Socket Head Cap Screw (M6x20) | 3 |
| 22. | A-1202 | Socket Head Cap Screw (M6x12) | 11 |
| 23. | A-6021 | O-Ring (G55) | 3 |
| 24. | A-9502 | Oil Sight (ϕ 32) | 1 |
| 25. | A-1127 | Elbow (3/4"PT) | 1 |
| 26. | A-9205 | Ball (ϕ 3/8") | 2 |
| 27. | A-1121 | Plug (3/8"PT) | 1 |
| 28. | C-1002-1 | Foam Plate | 1 |
| 29. | C-1003-1 | Gasket | 1 |
| 30. | C-1004-1 | Gasket | 1 |
| 31. | C-1005-1 | Gasket | 1 |
| 32. | C-1007-1 | Gasket | 1 |
| 33. | C-1170 | Brake Base | 1 |
| 34. | A-1258 | Socket Head Cap Screw (M8x35) | 3 |
| 35. | FA-4001 | Caliper Brake | 1 |
| 36. | A-3333 | Circlip (S72) | 2 |
| 37. | C-1177 | Main Spindle Brake Disc | 1 |
| 38. | J-1067 | Adapter | 1 |
| 39. | A-1139 | Socket Headless Set Screw (M6x8) | 3 |
| 40. | A-7269 | Key (12x8x20) | 1 |
| 41. | C-1007 | Gasket | 1 |
| 42. | C-8039 | Frame | 1 |

HEADSTOCK : SPINDLE & GEARS



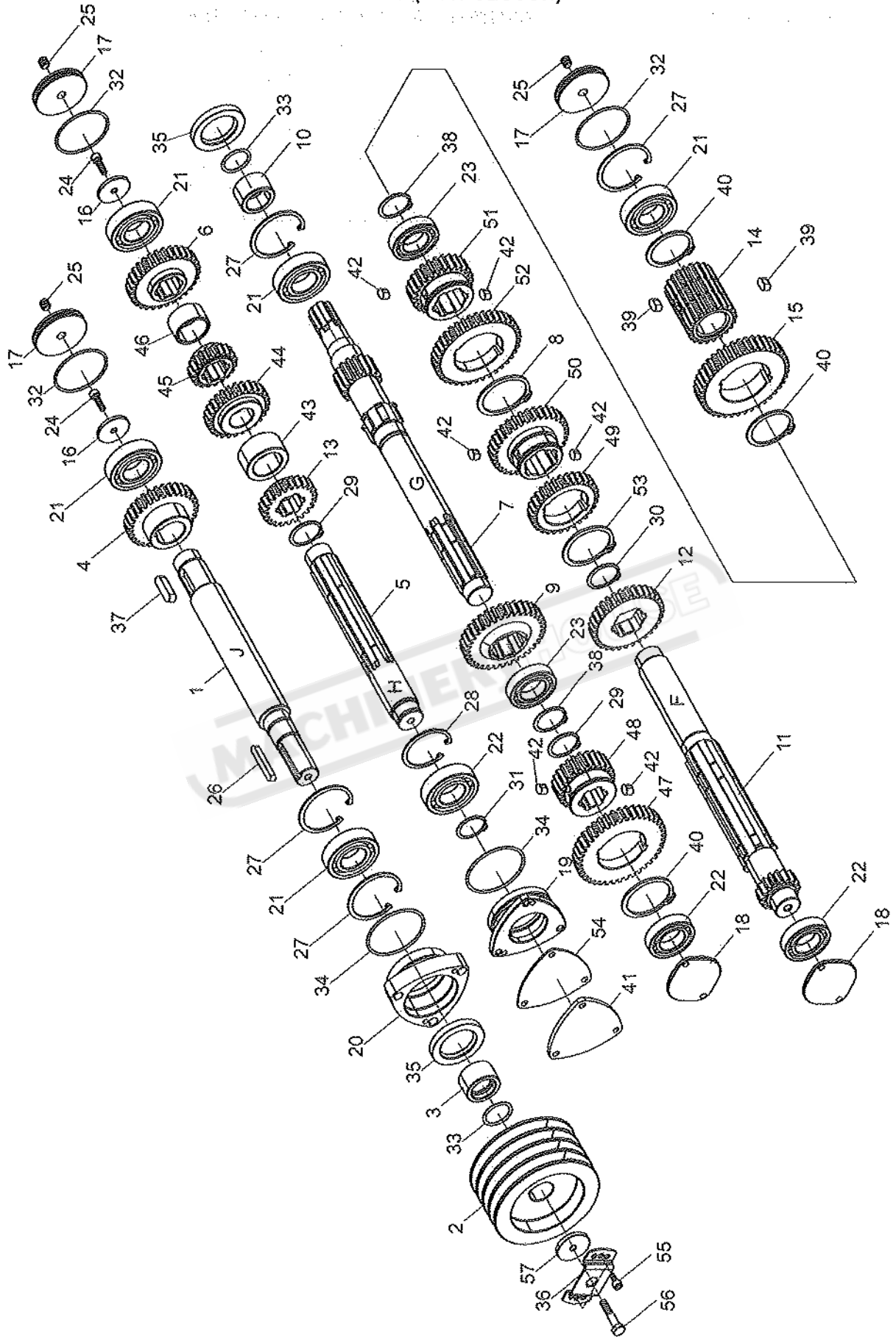
| <u>NO.</u> | <u>PART NO.</u> | <u>DESCRIPTION</u> | <u>QUANTITY</u> |
|------------|-----------------|-------------------------------|-----------------|
| 1. | C-1016 | Cam Screw | 6 |
| 2. | C-1018 | Cams | 6 |
| 3. | C-1019 | Main Spindle | 1 |
| 4. | C-1020 | Spindle Gear (75T) | 1 |
| 5. | C-1021 | Spindle Gear (56T) | 1 |
| 6. | C-1022 | Nut | 1 |
| 7. | C-1031 | Collars | 3 |
| 8. | C-1021 | Gear (42T) | 1 |
| 9. | C-1026 | Shaft (E) | 1 |
| 10. | C-1027A | Sliding Gear (42T) | 1 |
| 11. | C-1028 | Washer | 1 |
| 12. | C-1029-1 | Shaft (D) | 1 |
| 13. | C-1030 | Gear (42T) | 1 |
| 14. | C-1222 | Collar | 2 |
| 15. | C-1032 | Shaft (C) | 1 |
| 16. | C-1033 | Double Gear (21T/21T) | 1 |
| 17. | C-1035 | Shaft (B) | 1 |
| 18. | C-1036 | Gear (21T) | 1 |
| 19. | A-3312 | Circlip (S30) | 2 |
| 20. | A-2020 | Front Bearing (#32218) | 1 |
| 21. | A-2019 | Rear Bearing (#32215) | 1 |
| 22. | A-1203 | Socket Head Cap Screw (M6x16) | 2 |
| 23. | A-1204 | Socket Head Cap Screw (M6x20) | 1 |
| 24. | A-8401 | Cam Spring | 6 |
| 25. | A-7224 | Key (6x6x25) | 1 |
| 26. | A-6013 | O-Ring (P25) | 3 |
| 27. | A-5018 | Oil Seal (35.50.8) | 1 |
| 28. | A-3323 | Circlip (S85) | 1 |
| 29. | A-3309 | Circlip (S25) | 2 |
| 30. | A-3321 | Circlip (S80) | 1 |
| 31. | A-7225 | Key (10x8x75) | 1 |
| 32. | A-6009 | O-Ring (P21) | 1 |
| 33. | C-1035-1 | Collar | 1 |
| 34. | C-1027B | Gear (21T) | 1 |
| 35. | C-1030-2 | Gear (21T) | 1 |
| 36. | A-3325 | Circlip (S60) | 2 |
| 37. | A-3328 | Circlip (S40) | 1 |

HEADSTOCK : DRIVEN SHAFT & GEARS. (VARISPEED)



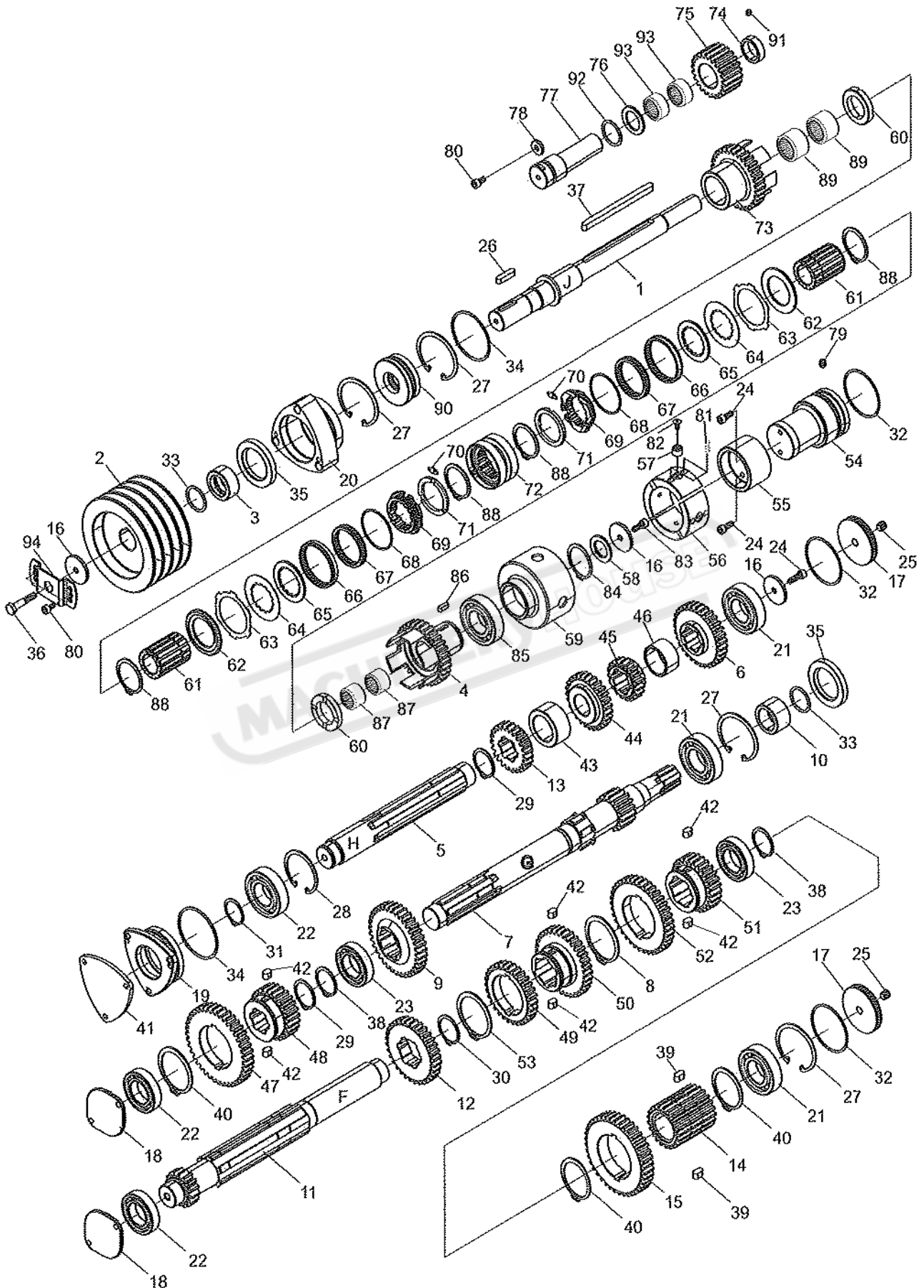
| <u>NO.</u> | <u>PART NO.</u> | <u>DESCRIPTION</u> | <u>QUANTITY</u> | <u>NO.</u> | <u>PART NO.</u> | <u>DESCRIPTION</u> | <u>QUANTITY</u> |
|------------|-----------------|------------------------------------|-----------------|------------|-----------------|----------------------------|-----------------|
| 1. | C-1038 | Shaft (J) | 1 | 41. | C-1007-2 | Cover | 1 |
| 2. | C-1040-1 | Pulley | 1 | 42. | C-1045 | Gear (23T) | 1 |
| 3. | C-1041 | Spacer | 1 | 43. | C-1007 | Gasket | 1 |
| 4. | C-1042 | Gear (31T) | 1 | 44. | C-1096 | Clamp Plate | 1 |
| 5. | C-1043 | Shaft (H) | 1 | 45. | A-1425 | Hexagon Head Screw (M8x20) | 1 |
| 6. | C-1050 | Gear (31T) | 1 | 46. | T-1005 | Washer | 1 |
| 7. | C-1052 | Shaft (G) | 1 | | | | |
| 8. | C-1053-1 | Gear (25T) | 1 | | | | |
| 9. | C-1054 | Gear (35T) | 1 | | | | |
| 10. | C-1055 | Collar | 1 | | | | |
| 11. | C-1056 | Shaft (F) | 1 | | | | |
| 12. | C-1057-1 | Gear (32T) | 1 | | | | |
| 13. | C-1058-1 | Gear (34T) | 1 | | | | |
| 14. | C-1060A | Compound Gear (21T) | 1 | | | | |
| 15. | C-1060B | Gear (40T) | 1 | | | | |
| 16. | C-1028 | Washer | 2 | | | | |
| 17. | C-1009 | Plug | 3 | | | | |
| 18. | C-1008 | Cover | 2 | | | | |
| 19. | C-1007-1 | Bearing Housing | 1 | | | | |
| 20. | C-1006 | Bearing Housing | 1 | | | | |
| 21. | A-2036 | Bearing (#6206) | 5 | | | | |
| 22. | A-2029 | Bearing (#6006) | 3 | | | | |
| 23. | A-2030 | Bearing (#6007) | 2 | | | | |
| 24. | A-1204 | Socket Head Cap Screw (M6x20) | 2 | | | | |
| 25. | A-1108 | Socket Headless Set Screw (M10x10) | 3 | | | | |
| 26. | A-7226 | Key (7x7x50) | | | | | |
| 27. | A-3206 | Circlip (R62) | 4 | | | | |
| 28. | A-3205 | Circlip (R55) | 1 | | | | |
| 29. | A-3324 | Circlip (S34) | 3 | | | | |
| 30. | A-3316 | Circlip (S42) | 3 | | | | |
| 31. | A-3312 | Circlip (S30) | 1 | | | | |
| 32. | A-6021 | O-Ring (G55) | 3 | | | | |
| 33. | A-6014 | O-Ring (P28) | 2 | | | | |
| 34. | A-6028 | O-Ring (AN6230/9) | 2 | | | | |
| 35. | A-5020 | Oil Seal (TC40x60x10) | 2 | | | | |
| 36. | A-1202 | Socket Head Cap Screw (M6x12) | 2 | | | | |
| 37. | A-7227 | Key (10x8x35) | 1 | | | | |
| 38. | A-3314 | Circlip (S35) | 2 | | | | |
| 39. | A-7275 | Key (8x8x15) | 2 | | | | |
| 40. | A-3331 | Circlip (S58) | 2 | | | | |

HEADSTOCK : DRIVEN SHAFT & GEARS.(NON-CLUTCH)



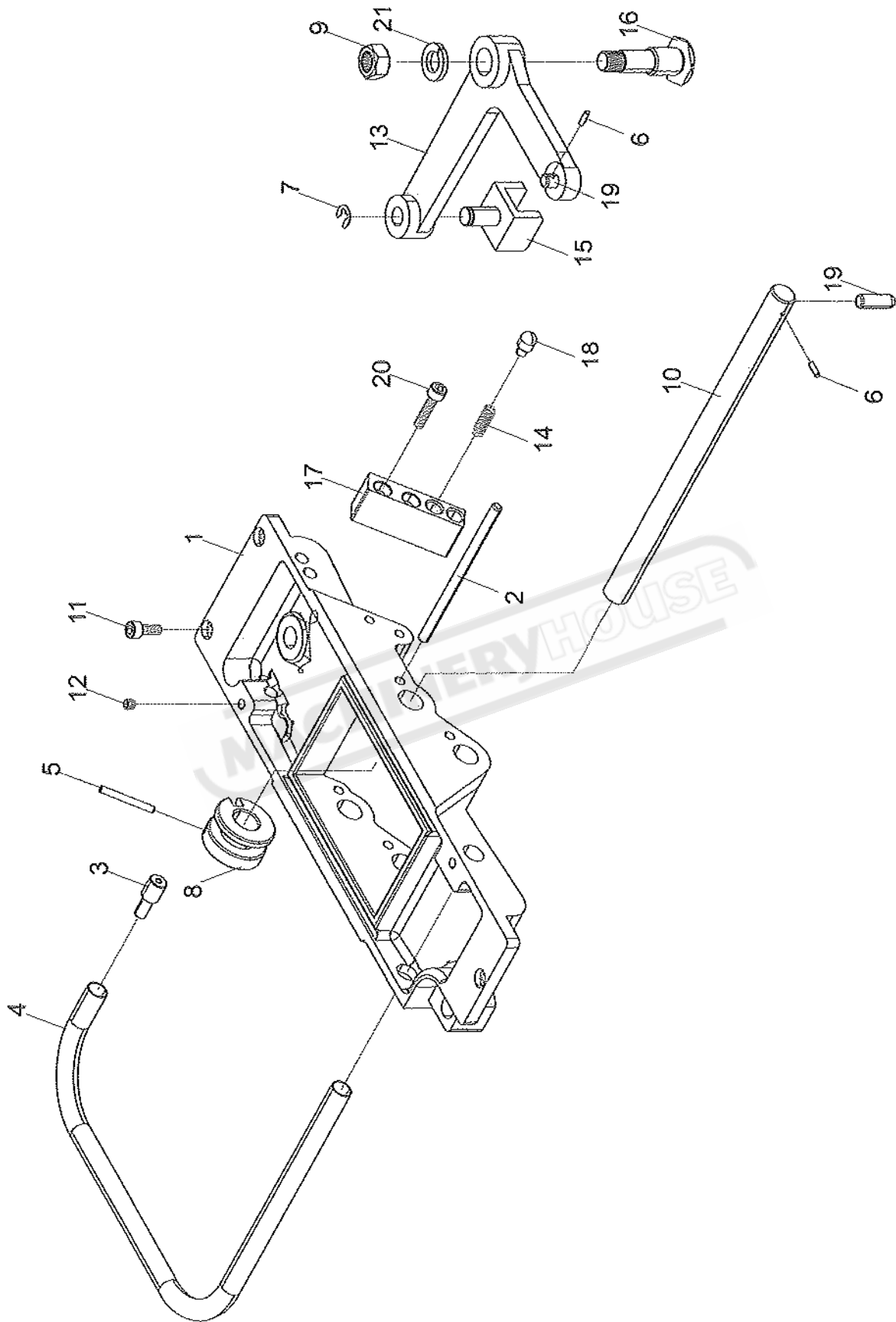
| <u>NO.</u> | <u>PART NO.</u> | <u>DESCRIPTION</u> | <u>QUANTITY</u> | <u>NO.</u> | <u>PART NO.</u> | <u>DESCRIPTION</u> | <u>QUANTITY</u> |
|------------|-----------------|------------------------------------|-----------------|------------|-----------------|-------------------------------|-----------------|
| 1. | C-1038 | Shaft (J) | 1 | 41. | C-1007-2 | Cover | 1 |
| 2. | C-1040-1 | Pulley | 1 | 42. | A-7247 | Key (8x8x12) | 6 |
| 3. | C-1041 | Spacer | 1 | 43. | C-1046 | Spacer | 1 |
| 4. | C-1042 | Gear (31T) | 1 | 44. | C-1047 | Gear (27T) | 1 |
| 5. | C-1043 | Shaft (H) | 1 | 45. | C-1048 | Gear (19T) | 1 |
| 6. | C-1050 | Gear (31T) | 1 | 46. | C-1049 | Spacer | 1 |
| 7. | C-1052 | Shaft (G) | 1 | 47. | C-1053A | Gear (40T) | 1 |
| 8. | A-3346 | Circlip (S56) | 1 | 48. | C-1053B | Gear (25T) | 1 |
| 9. | C-1054 | Gear (35T) | 1 | 49. | C-1058A | Gear (34T) | 1 |
| 10. | C-1055 | Collar | 1 | 50. | C-1058B | Gear (30T) | 1 |
| 11. | C-1056 | Shaft (F) | 1 | 51. | C-1059A | Gear (26T) | 1 |
| 12. | C-1057-1 | Gear (32T) | 1 | 52. | C-1059B | Gear (38T) | 1 |
| 13. | C-1045 | Gear (23T) | 1 | 53. | A-3345 | Circlip (S52) | 1 |
| 14. | C-1060A | Compound Gear (21T) | 1 | 54. | C-1007 | Gasket | 1 |
| 15. | C-1060B | Gear (40T) | 1 | 55. | A-1202 | Socket Head Cap Screw (M6x12) | 2 |
| 16. | C-1028 | Washer | 2 | 56. | A-1425 | Hexagon Head Screw (M8x20) | 1 |
| 17. | C-1009 | Plug | 3 | 57. | T-1005 | Washer | 1 |
| 18. | C-1008 | Cover | 2 | | | | |
| 19. | C-1007-1 | Bearing Housing | 1 | | | | |
| 20. | C-1006 | Bearing Housing | 1 | | | | |
| 21. | A-2036 | Bearing (#6206) | 5 | | | | |
| 22. | A-2029 | Bearing (#6006) | 3 | | | | |
| 23. | A-2030 | Bearing (#6007) | 2 | | | | |
| 24. | A-1425 | Socket Head Cap Screw (M8x20) | 2 | | | | |
| 25. | A-1108 | Socket Headless Set Screw (M10x10) | 3 | | | | |
| 26. | A-7226 | Key (7x7x50) | 1 | | | | |
| 27. | A-3206 | Circlip (R62) | 4 | | | | |
| 28. | A-3205 | Circlip (R55) | 1 | | | | |
| 29. | A-3324 | Circlip (S34) | 2 | | | | |
| 30. | A-3316 | Circlip (S42) | 1 | | | | |
| 31. | A-3312 | Circlip (S30) | 1 | | | | |
| 32. | A-6021 | O-Ring (G55) | 3 | | | | |
| 33. | A-6014 | O-Ring (P28) | 2 | | | | |
| 34. | A-6028 | O-Ring (AN6230/9) | 2 | | | | |
| 35. | A-5020 | Oil Seal (TC40x60x10) | 2 | | | | |
| 36. | C-1096 | Clamp Plate | 1 | | | | |
| 37. | A-7227 | Key (10x8x35) | 1 | | | | |
| 38. | A-3314 | Circlip (S35) | 2 | | | | |
| 39. | A-7275 | Key (8x8x15) | 2 | | | | |
| 40. | A-3331 | Circlip (S58) | 3 | | | | |

HEADSTOCK : CLUTCH SHAFT & GEARS



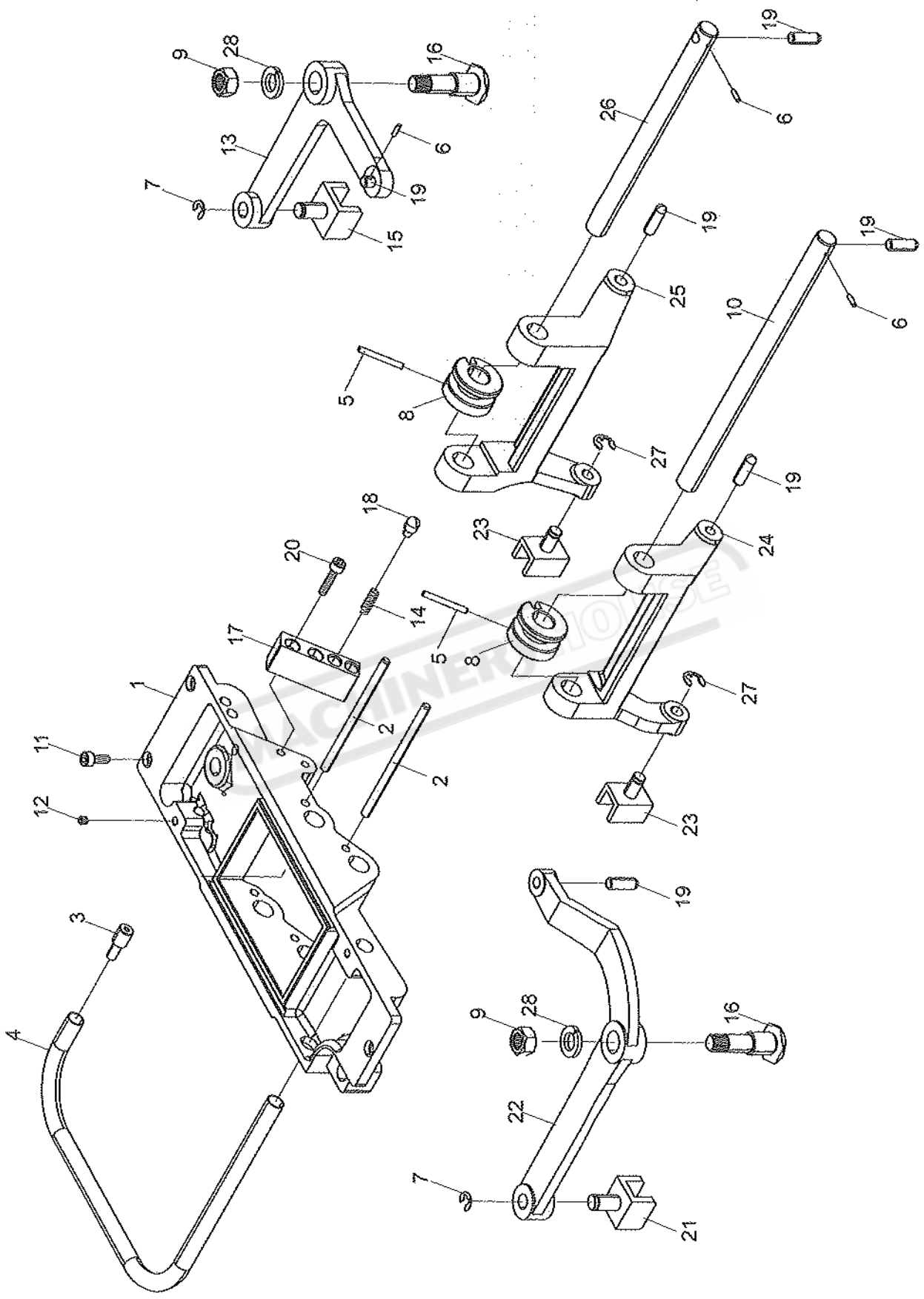
| NO. | PART NO. | DESCRIPTION | QUANTITY | NO. | PART NO. | DESCRIPTION | QUANTITY |
|-----|----------|------------------------------------|----------|-----|----------|----------------------------------|----------|
| 1. | C-1201 | Shaft (J) | 1 | 51. | C-1059A | Gear (26T) | 1 |
| 2. | C-1040-1 | Pulley | 1 | 52. | C-1059B | Gear (38T) | 1 |
| 3. | C-1211 | Spacer | 1 | 53. | A-3345 | Circlip (S52) | 1 |
| 4. | C-1203 | Gear (31T) | 1 | 54. | C-1215 | Brake Shaft | 1 |
| 5. | C-1043 | Shaft (H) | 1 | 55. | C-1216 | Brake Disc | 1 |
| 6. | C-1050 | Gear (31T) | 1 | 56. | C-1217 | Pads | 4 |
| 7. | C-1052 | Shaft (G) | 1 | 57. | M-1218 | Pegs | 4 |
| 8. | A-3346 | Circlip (S56) | 1 | 58. | C-1209 | Washer | 1 |
| 9. | C-1054 | Gear (35T) | 1 | 59. | C-1219 | Brake Housing | 1 |
| 10. | C-1055 | Collar | 1 | 60. | C-1207 | Washer | 2 |
| 11. | C-1056 | Shaft (F) | 1 | 61. | C-1418C | Hubs | 2 |
| 12. | C-1057-1 | Gear (32T) | 1 | 62. | C-1410C | End Flanges | 2 |
| 13. | C-1045 | Gear (23T) | 1 | 63. | C-1447C | Outer Plates | 10 |
| 14. | C-1060A | Compound Gear (21T) | 1 | 64. | C-1444C | Inner Plates | 12 |
| 15. | C-1060B | Gear (40T) | 1 | 65. | C-1450C | Lock Plates | 2 |
| 16. | C-1028 | Washer | 3 | 66. | C-1462C | Locking Plates | 2 |
| 17. | C-1009 | Plug | 2 | 67. | C-1430C | Adjusting Nuts | 2 |
| 18. | C-1008 | Cover | 2 | 68. | C-1488 | Springs | 2 |
| 19. | C-1007-1 | Bearing Housing | 1 | 69. | C-1407C | Track Rings | 2 |
| 20. | C-1212 | Bearing Housing | 1 | 70. | C-1382C | Bearing Assembly | 6 |
| 21. | A-2036 | Bearing (#6206) | 3 | 71. | C-1494C | Thrust Washers | 2 |
| 22. | A-2029 | Bearing (#6006) | 3 | 72. | C-1399C | Operating Collar | 1 |
| 23. | A-2030 | Bearing (#6007) | 2 | 73. | C-1202 | Gear (31T) | 1 |
| 24. | A-1204 | Socket Head Cap Screw (M6x20) | 3 | 74. | C-1222-1 | Washer | 1 |
| 25. | A-1108 | Socket Headless Set Screw (M10x10) | 2 | 75. | C-1204 | Gear (22T) | 1 |
| 26. | A-7230 | Key (7x7x30) | 1 | 76. | C-1222 | Washer | 1 |
| 27. | A-3206 | Circlip (R62) | 4 | 77. | C-1221 | Shaft (A) | 1 |
| 28. | A-3205 | Circlip (R55) | 1 | 78. | R-1030 | Washer | 1 |
| 29. | A-3324 | Circlip (S34) | 2 | 79. | A-1106 | Socket Headless Set Screw (M8x8) | 1 |
| 30. | A-3316 | Circlip (S42) | 1 | 80. | A-1202 | Socket Head Cap Screw (M6x12) | 2 |
| 31. | A-3312 | Circlip (S30) | 1 | 81. | A-8410 | Spring | 8 |
| 32. | A-6021 | O-Ring (G55) | 3 | 82. | A-1612 | Flat Head Cap Screw (M6x16) | 4 |
| 33. | A-6014 | O-Ring (P28) | 2 | 83. | A-1525 | Socket Head Cap Screw (M6x16) | 1 |
| 34. | A-6028 | O-Ring (AN6230/9) | 2 | 84. | A-3328 | Circlip (S40) | 1 |
| 35. | A-5020 | Oil Seal (TC40x60x10) | 2 | 85. | A-2047 | Bearing (#6008) | 1 |
| 36. | A-1425 | Hexagon Head Screw (M8x20) | 1 | 86. | A-7256 | Key (5x5x16) | 1 |
| 37. | A-7246 | Key (8x8x125) | 1 | 87. | A-2110 | Needle Bearing (TLA2220) | 2 |
| 38. | A-3314 | Circlip (S35) | 2 | 88. | C-1388C | Circlip | 4 |
| 39. | A-7275 | Key (8x8x15) | 2 | 89. | A-2132 | Bearing (TLA3020) | 2 |
| 40. | A-3331 | Circlip (S58) | 3 | 90. | A-2048 | Bearing (#5206) | 1 |
| 41. | C-1007-2 | Cover | 1 | 91. | A-1100 | Socket Headless Set Screw (M6x6) | 1 |
| 42. | A-7247 | Key (8x8x12) | 6 | 92. | A-6013 | O-Ring (P25) | 1 |
| 43. | C-1046 | Spacer | 1 | 93. | A-2131 | Bearing (TLA2516) | 2 |
| 44. | C-1047 | Gear (27T) | 1 | 94. | C-1096 | Clamp Plate | 1 |
| 45. | C-1048 | Gear (19T) | 1 | | | | |
| 46. | C-1049 | Spacer | 1 | | | | |
| 47. | C-1053A | Gear (40T) | 1 | | | | |
| 48. | C-1053B | Gear (25T) | 1 | | | | |
| 49. | C-1058A | Gear (34T) | 1 | | | | |
| 50. | C-1058B | Gear (30T) | 1 | | | | |

HEADSTOCK : CONTROL FRAME ASSEMBLY (VARISPEED)



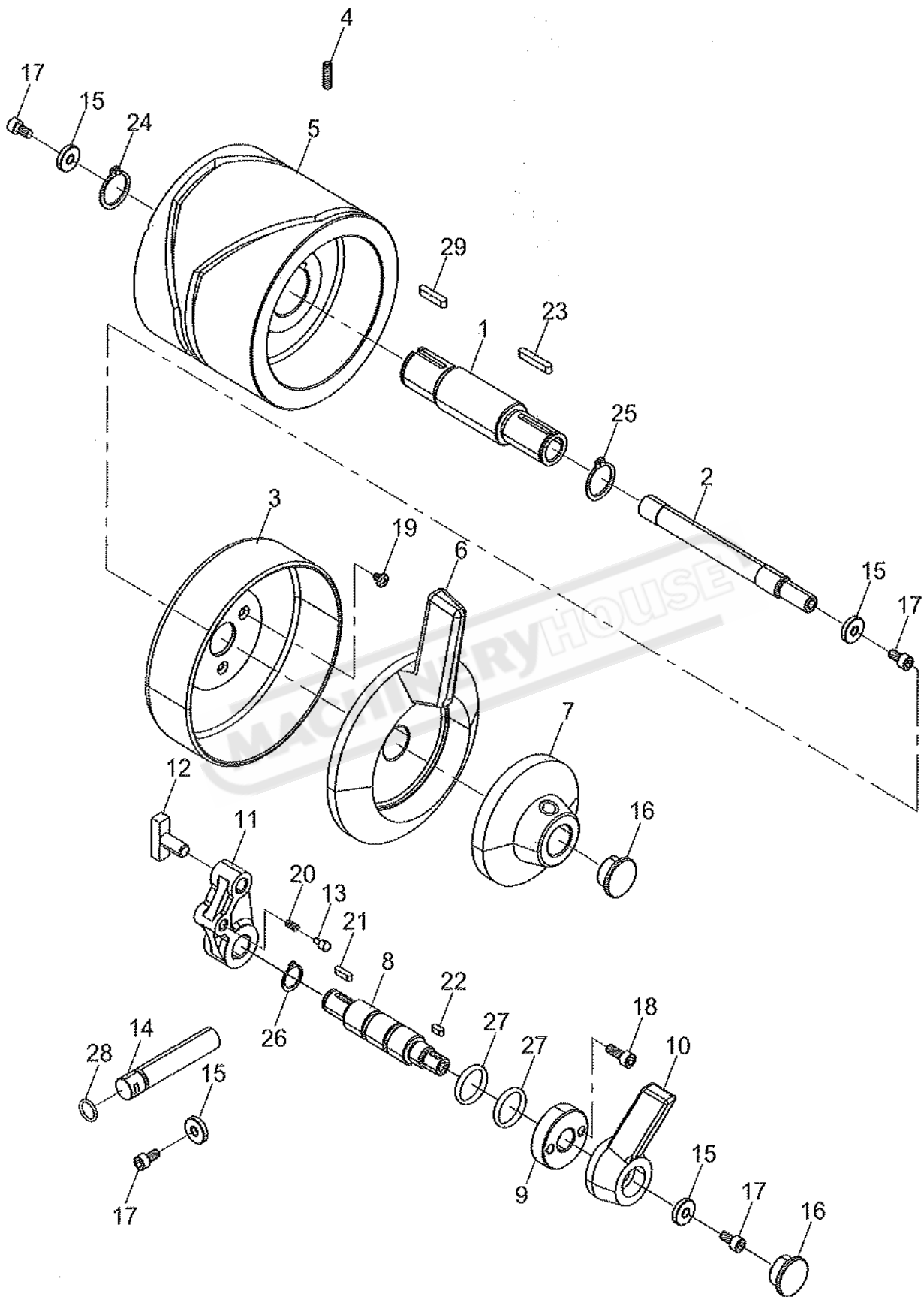
| <u>NO.</u> | <u>PART NO.</u> | <u>DESCRIPTION</u> | <u>QUANTITY</u> |
|------------|-----------------|----------------------------------|-----------------|
| 1. | C-1061 | Lever Frame | 1 |
| 2. | C-1062 | Rod | 1 |
| 3. | C-1063 | Peg | 1 |
| 4. | C-1064 | Lubrication Pipe | 1 |
| 5. | A-4003 | Pin (ϕ 4x36) | 1 |
| 6. | A-4000 | Pin (ϕ 3x10) | 2 |
| 7. | A-3102 | Circlip (E8) | 1 |
| 8. | C-1068 | Collar Assembly | 1 |
| 9. | A-1703 | Nut (M12) | 1 |
| 10. | C-1070 | Rod | 1 |
| 11. | A-1203 | Socket Head Cap Screw (M6x16) | 3 |
| 12. | A-1100 | Socket Headless Set Screw (M6x6) | 2 |
| 13. | C-1073 | Lever | 1 |
| 14. | A-8402 | Spring | 1 |
| 15. | C-1074-2 | Shift Fork | 1 |
| 16. | C-1075 | Bolt | 1 |
| 17. | C-1076 | Bracket | 1 |
| 18. | C-1077 | Plunger | 1 |
| 19. | C-1156 | Pin | 2 |
| 20. | A-1205 | Socket Head Cap Screw (M6X25) | 2 |
| 21. | A-1805 | Spring Washer (ϕ 12) | 1 |

HEADSTOCK : CONTROL FRAME ASSEMBLY



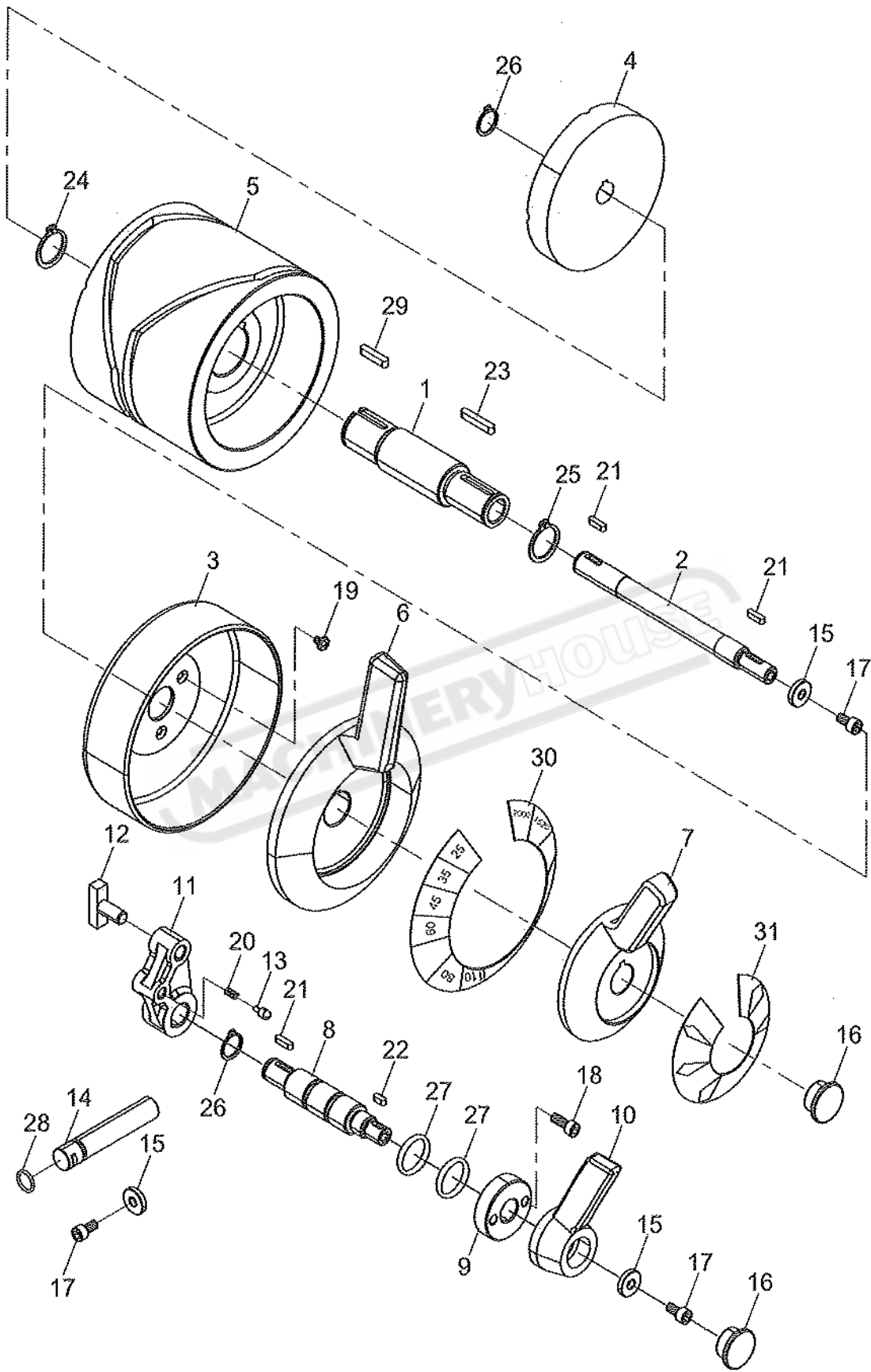
| <u>NO.</u> | <u>PART NO.</u> | <u>DESCRIPTION</u> | <u>QUANTITY</u> |
|------------|-----------------|----------------------------------|-----------------|
| 1. | C-1061 | Lever Frame | 1 |
| 2. | C-1062 | Rod | 2 |
| 3. | C-1063 | Peg | 1 |
| 4. | C-1064 | Lubrication Pipe | 1 |
| 5. | A-4003 | Pin (ϕ 4x36) | 2 |
| 6. | A-4000 | Pin (ϕ 3x10) | 2 |
| 7. | A-3102 | Circlip (E8) | 2 |
| 8. | C-1068 | Collar Assembly | 2 |
| 9. | A-1703 | Nut (M12) | 2 |
| 10. | C-1070 | Rod | 1 |
| 11. | A-1203 | Socket Head Cap Screw (M6x16) | 3 |
| 12. | A-1100 | Socket Headless Set Screw (M6x6) | 2 |
| 13. | C-1073 | Lever | 1 |
| 14. | A-8402 | Spring | 1 |
| 15. | C-1074-2 | Shift Fork | 1 |
| 16. | C-1075 | Bolt | 2 |
| 17. | C-1076 | Bracket | 1 |
| 18. | C-1077 | Plunger | 1 |
| 19. | C-1156 | Pin | 6 |
| 20. | A-1205 | Socket Head Cap Screw (M6X25) | 2 |
| 21. | C-1074-1 | Shift Fork | 1 |
| 22. | C-1072 | Lever | 1 |
| 23. | C-1066 | Shift Fork | 2 |
| 24. | C-1065 | Lever Bracket Assembly | 1 |
| 25. | C-1069 | Lever Bracket Assembly | 1 |
| 26. | C-1070 | Rod | 1 |
| 27. | A-3103 | Circlip (E10) | 2 |
| 28. | A-1805 | Spring Washer (ϕ 12) | 2 |

HEADSTOCK : CONTROLS (VARISPEED)



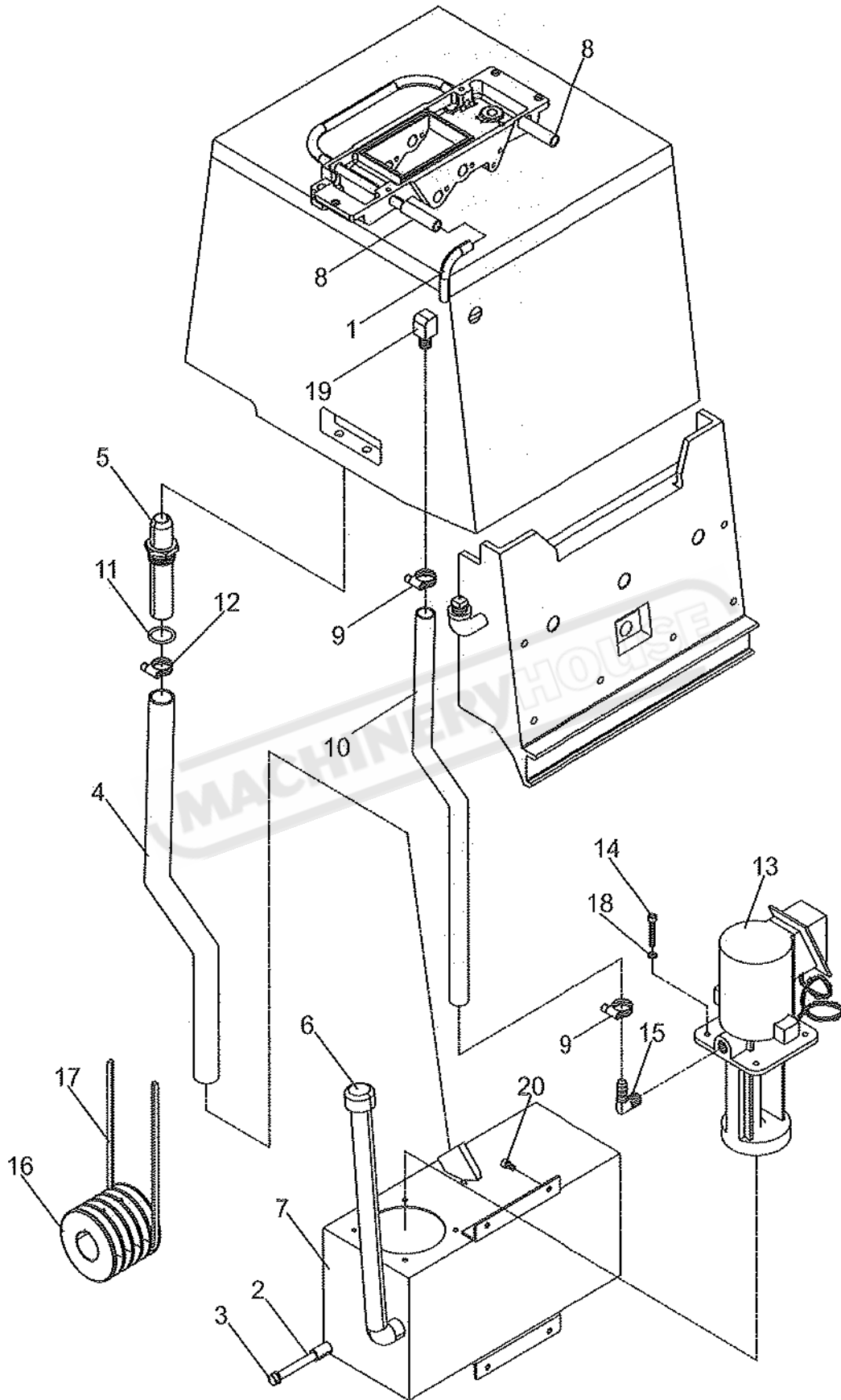
| <u>NO.</u> | <u>PART NO.</u> | <u>DESCRIPTION</u> | <u>QUANTITY</u> |
|------------|-----------------|-----------------------------------|-----------------|
| 1. | C-1078 | Cam Shaft | 1 |
| 2. | C-1079-1 | Shaft | 1 |
| 3. | C-1080 | Selector Housing Assembly | 1 |
| 4. | A-1104 | Socket Headless Set Screw (M6x20) | 2 |
| 5. | C-1082 | Drum Cam | 1 |
| 6. | C-1083 | Range Selector | 1 |
| 7. | C-1084-1 | Speed Selector | 1 |
| 8. | C-1085 | Shafts | 2 |
| 9. | C-1086 | Collars | 2 |
| 10. | C-1087 | Handles | 2 |
| 11. | C-1089 | Shift Levers | 2 |
| 12. | C-1090 | Shift Pads | 2 |
| 13. | C-1091 | Detents | 2 |
| 14. | C-1092 | Detents Bars | 2 |
| 15. | R-1030 | Washers | 6 |
| 16. | C-2075 | Plugs | 3 |
| 17. | A-1202 | Socket Head Cap Screw (M6x12) | 6 |
| 18. | A-1203 | Socket Head Cap Screw (M6x16) | 4 |
| 19. | A-1606 | Cross Recessed Head Screw (M5x6) | 3 |
| 20. | A-8403 | Spring | 2 |
| 21. | A-7202 | Key (4x4x15) | 2 |
| 22. | A-7201 | Key (4x4x10) | 2 |
| 23. | A-7208 | Key (5x5x30) | 1 |
| 24. | A-3308 | Circlip (S24) | 1 |
| 25. | A-3310 | Circlip (S28) | 1 |
| 26. | A-3302 | Circlip (S16) | 2 |
| 27. | A-6007 | O-Ring (P18) | 4 |
| 28. | A-6004 | O-Ring (P12) | 2 |
| 29. | A-7207 | Key (5x5x25) | 1 |

HEADSTOCK : CONTROLS



| <u>NO.</u> | <u>PART NO.</u> | <u>DESCRIPTION</u> | <u>QUANTITY</u> |
|------------|-----------------|----------------------------------|-----------------|
| 1. | C-1078 | Cam Shaft | 1 |
| 2. | C-1079 | Shaft | 1 |
| 3. | C-1080 | Selector Housing Assembly | 1 |
| 4. | C-1081 | Plate Cam | 1 |
| 5. | C-1082 | Drum Cam | 1 |
| 6. | C-1083 | Range Selector | 1 |
| 7. | C-1084 | Speed Selector | 1 |
| 8. | C-1085 | Shafts | 2 |
| 9. | C-1086 | Collars | 2 |
| 10. | C-1087 | Handles | 2 |
| 11. | C-1089 | Shift Levers | 2 |
| 12. | C-1090 | Shift Pads | 2 |
| 13. | C-1091 | Detents | 2 |
| 14. | C-1092 | Detents Bars | 2 |
| 15. | R-1030 | Washers | 5 |
| 16. | C-2075 | Plugs | 3 |
| 17. | A-1202 | Socket Head Cap Screw (M6x12) | 5 |
| 18. | A-1203 | Socket Head Cap Screw (M6x16) | 4 |
| 19. | A-1606 | Cross Recessed Head Screw (M5x6) | 3 |
| 20. | A-8403 | Spring | 2 |
| 21. | A-7202 | Key (4x4x15) | 4 |
| 22. | A-7201 | Key (4x4x10) | 2 |
| 23. | A-7208 | Key (5x5x30) | 1 |
| 24. | A-3308 | Circlip (S24) | 1 |
| 25. | A-3310 | Circlip (S28) | 1 |
| 26. | A-3302 | Circlip (S16) | 3 |
| 27. | A-6007 | O-Ring (P18) | 4 |
| 28. | A-6004 | O-Ring (P12) | 2 |
| 29. | A-7207 | Key (5x5x25) | 1 |
| 30. | NC-06 | Speed Chart | 1 |
| 31 | NC-08 | Arrow Plate | 1 |

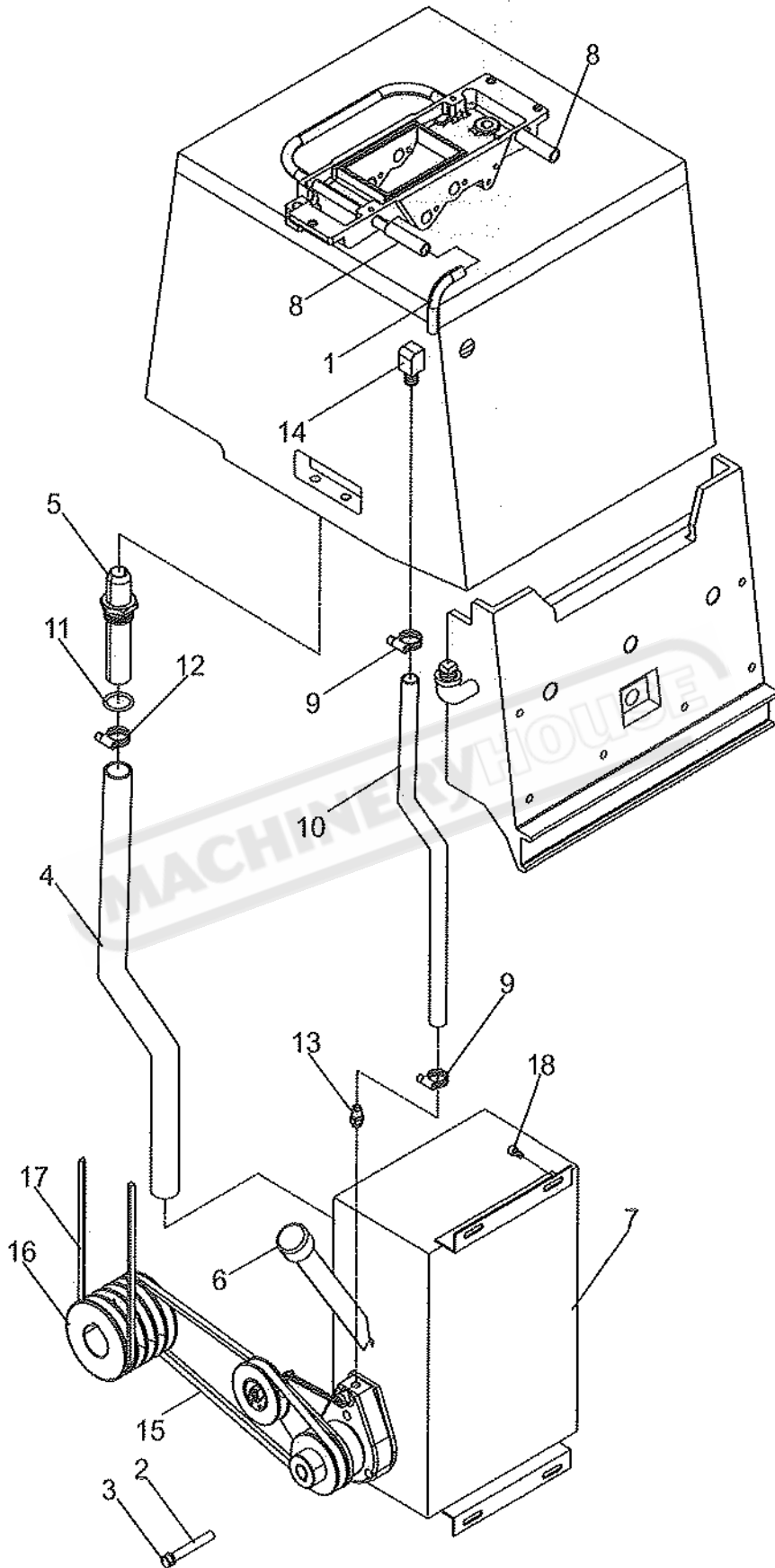
HEADSTOCK : LUBRICATION (VARISPEED)



| <u>NO.</u> | <u>PART NO.</u> | <u>DESCRIPTION</u> | <u>QUANTITY</u> |
|------------|-----------------|-------------------------------|-----------------|
| 1. | C-1154 | Connector | 1 |
| 2. | A-4106 | Drain Pipe | 1 |
| 3. | A-1173 | Plug | 1 |
| 4. | A-4123 | Return Hose | 1 |
| 5. | C-1101 | Adaptor | 1 |
| 6. | C-1102-1 | Dipstick Cap | 1 |
| 7. | C-1105-1 | Oil Tank | 1 |
| 8. | A-4115 | Hoses | 2 |
| 9. | A-4111 | Clamp | 2 |
| 10. | A-4124 | Inlet Hose | 1 |
| 11. | A-6013 | O-Ring (P25) | 1 |
| 12. | A-4110 | Clamp | 1 |
| 13. | A-4102 | Pump | 1 |
| 14. | A-1206 | Socket Head Cap Screw (M6x12) | 4 |
| 15. | A-4101 | Elbow | 1 |
| 16. | C-7028-6 | Motor Pulley | 1 |
| 17. | A-0109 | Vee Belt A-72" | 4 |
| 18. | A-1901 | Washer (ϕ 6) | 4 |
| 19. | A-0498 | Elbow | 1 |
| 20. | A-1202 | Socket Head Cap Screw (M6x12) | 4 |

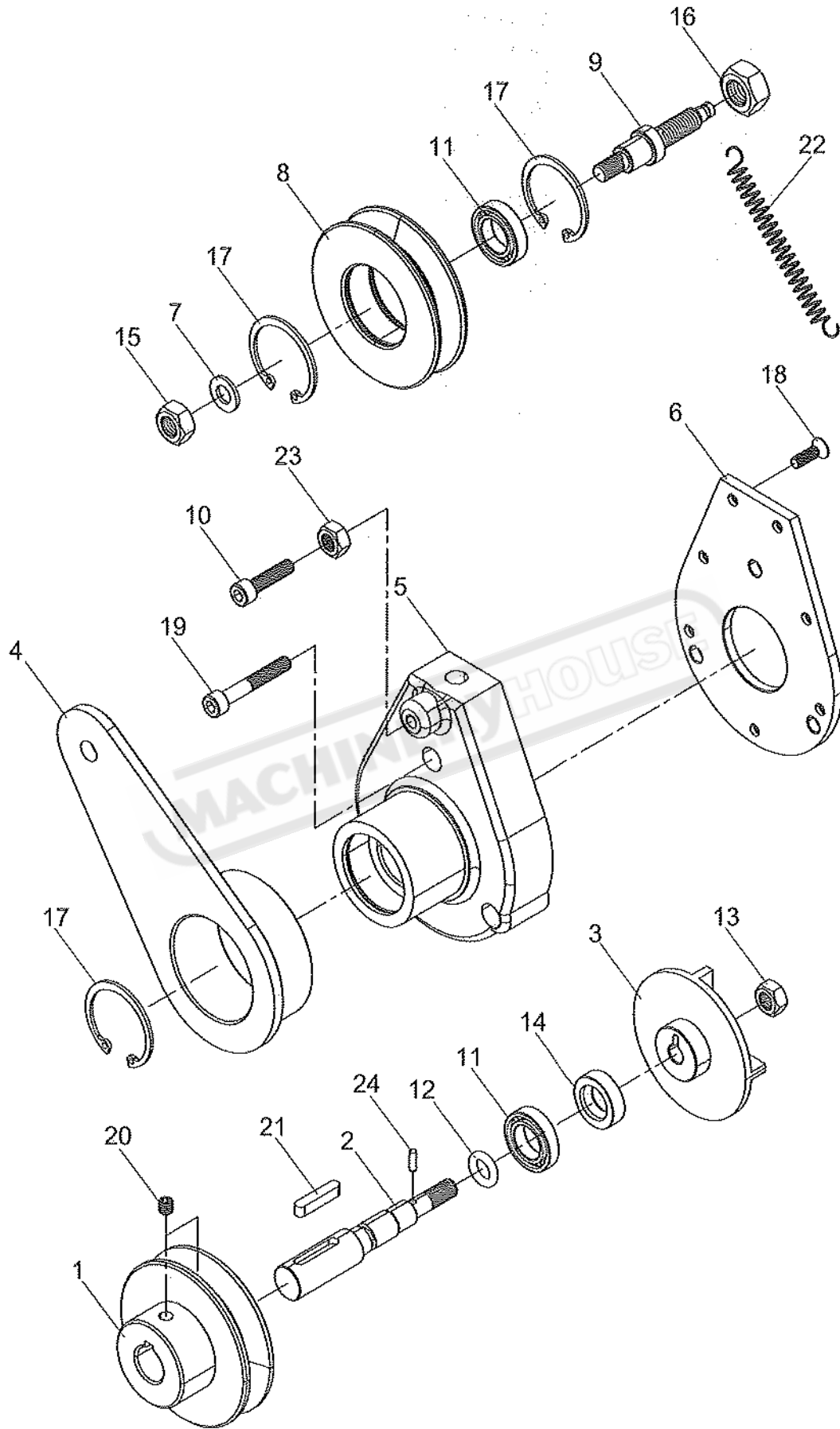
MACHINERYHOUSE

HEADSTOCK : LUBRICATION



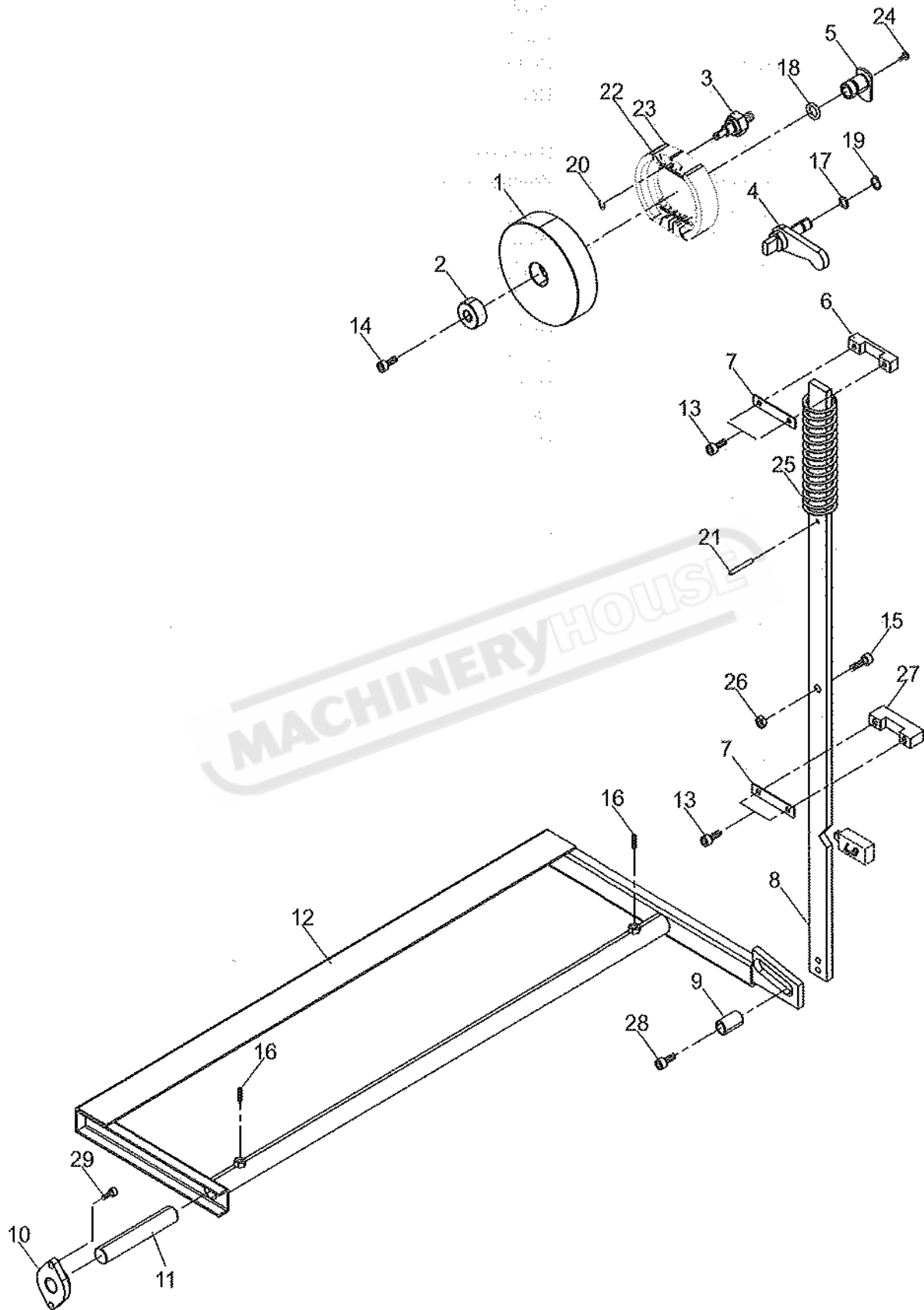
| <u>NO.</u> | <u>PART NO.</u> | <u>DESCRIPTION</u> | <u>QUANTITY</u> |
|------------|-----------------|-------------------------------|-----------------|
| 1. | C-1154 | Connector | 1 |
| 2. | A-4106 | Drain Pipe | 1 |
| 3. | A-1173 | Plug | 1 |
| 4. | A-4123 | Return Hose | 1 |
| 5. | C-1101 | Adaptor | 1 |
| 6. | C-1102 | Dipstick Cap | 1 |
| 7. | C-1105 | Oil Tank | 1 |
| 8. | A-4115 | Hoses | 2 |
| 9. | A-4111 | Clamp | 2 |
| 10. | A-4124 | Inlet Hose | 1 |
| 11. | A-6013 | O-Ring (P25) | 1 |
| 12. | A-4110 | Clamp | 1 |
| 13. | A-1180 | Outlet | 1 |
| 14. | A-0498 | Elbow | 1 |
| 15. | A-0124 | Vee Belt (50HZ) A-34" | 1 |
| | A-0123 | Vee Belt (60HZ) A-33" | 1 |
| 16. | C-7028-6 | Motor Pulley (50Hz) | 1 |
| | C-7028-3 | Motor Pulley (60Hz) | 1 |
| 17. | A-0109 | Vee Belt (50Hz) A-72" | 4 |
| | A-0110 | Vee Belt (60Hz) A-73" | 4 |
| 18. | A-1202 | Socket Head Cap Screw (M6x12) | 4 |

BRAKE : PUMP ASSY



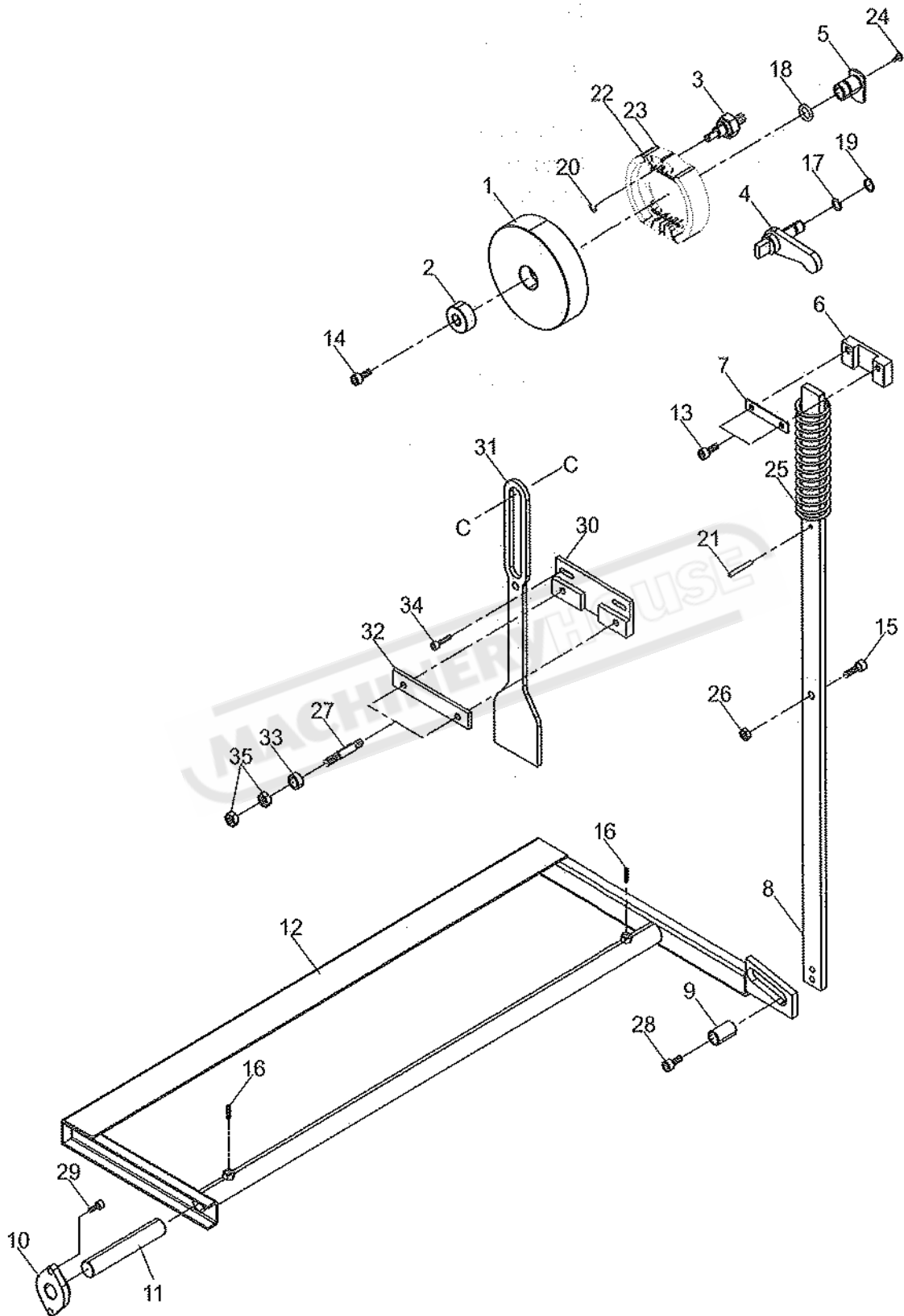
| <u>NO.</u> | <u>PART NO.</u> | <u>DESCRIPTION</u> | <u>QUANTITY</u> |
|------------|-----------------|------------------------------------|-----------------|
| 1. | C-1106 | Pulley | 1 |
| 2. | C-1107 | Shaft | 1 |
| 3. | C-1109 | Impeller | 1 |
| 4. | C-1110 | Plate | 1 |
| 5. | C-1111 | Housing | 1 |
| 6. | C-1112 | Backplate | 1 |
| 7. | A-1918 | Washer (ø8) | 1 |
| 8. | C-1114 | Pulley | 1 |
| 9. | C-1115 | Shaft | 1 |
| 10. | A-1517 | Socket Head Cap Screw (M6x25L) | 1 |
| 11. | A-2037 | Bearing (#6301ZZ) | 2 |
| 12. | A-6001 | O-Ring | 1 |
| 13. | A-1707 | Nylon Nut (5/16") | 1 |
| 14. | A-5013 | Oil Seal (TC12x25x7) | 1 |
| 15. | A-1701 | Nut (M8) | 1 |
| 16. | A-1702 | Nut (M10) | 1 |
| 17. | A-3201 | Circlip (R37) | 3 |
| 18. | A-1608 | Cross Recessed Head Screw (M5x15L) | 7 |
| 19. | A-1208 | Socket Head Cap Screw (M6x40L) | 3 |
| 20. | A-1101 | Socket Headless Set Screw (M6x10L) | 2 |
| 21. | A-7207 | Key (5x5x25) | 1 |
| 22. | A-8404 | Spring | 1 |
| 23. | A-1700 | Nut (M6) | 1 |
| 24. | A-4006 | Pin (ø3x10) | 1 |

BRAKE : MECHANISM (NON-CLUTCH & VARISPEED)



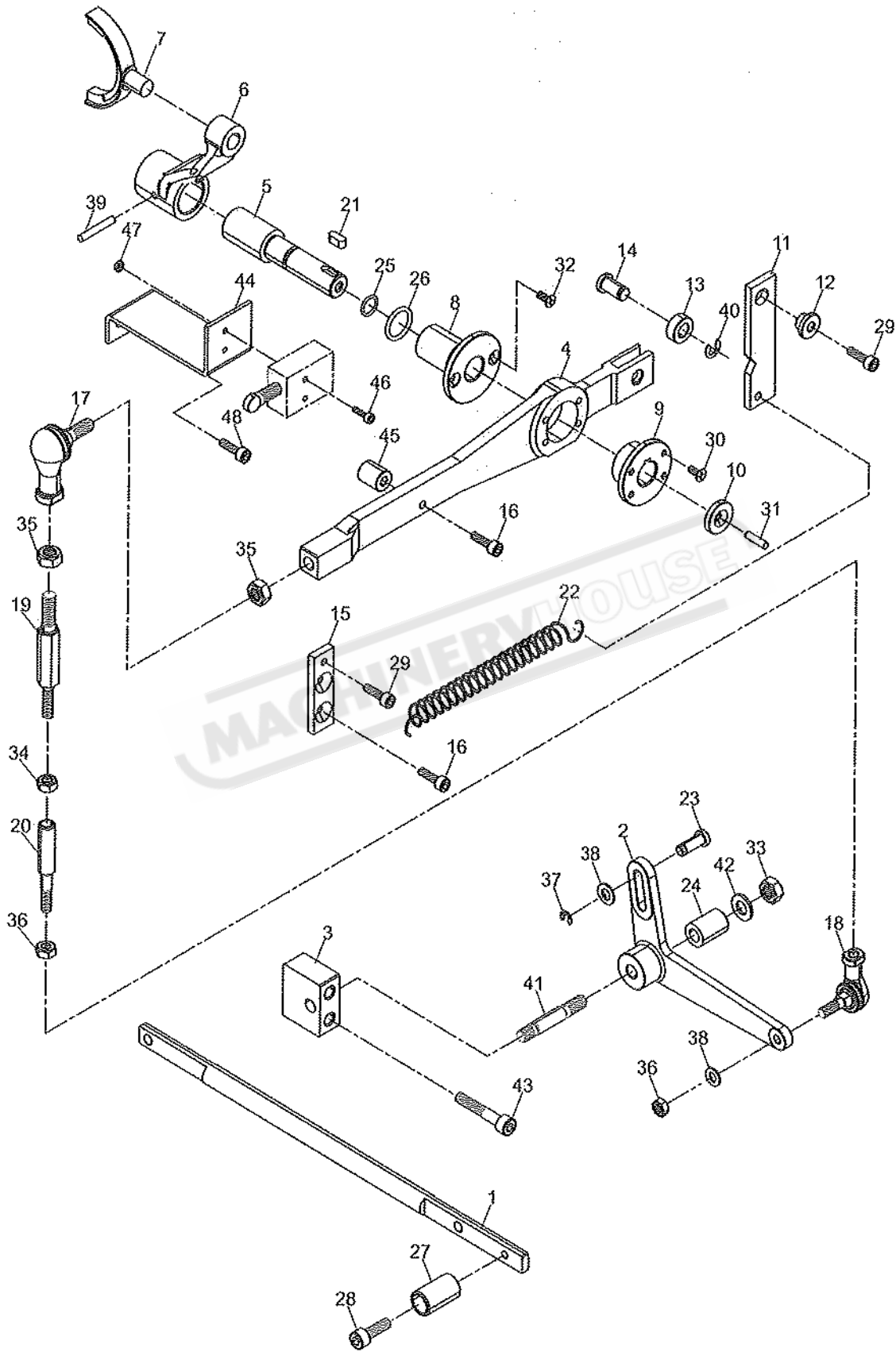
| <u>NO.</u> | <u>PART NO.</u> | <u>DESCRIPTION</u> | <u>QUANTITY</u> |
|------------|-----------------|----------------------------------|-----------------|
| 1. | C-1117-1 | Drum | 1 |
| 2. | C-1117-2 | Collar | 1 |
| 3. | C-1118 | Stud | 1 |
| 4. | C-1119 | Catch Assembly | 1 |
| 5. | C-1120 | Bush | 1 |
| 6. | C-1122 | Guide Blocks | 1 |
| 7. | C-1123 | Strap Plate | 2 |
| 8. | C-1124 | Operation Bar | 1 |
| 9. | C-1125 | Pivot | 1 |
| 10. | C-7009 | Flanges | 2 |
| 11. | C-7010 | Connect Shafts | 2 |
| 12. | C-7011 | Pedal | 1 |
| 13. | A-1205 | Socket Head Cap Screw (M6x25) | 4 |
| 14. | A-1213 | Socket Head Cap Screw (M8x20) | 1 |
| 15. | A-1219 | Socket Head Cap Screw (M10x20) | 1 |
| 16. | A-1106 | Socket Headless Set Screw (M8x8) | 2 |
| 17. | A-6003 | O-Ring (P10A) | 1 |
| 18. | A-6030 | O-Ring (P16) | 1 |
| 19. | A-3300 | Circlip (S14) | 1 |
| 20. | A-3100 | Circlip (E6) | 1 |
| 21. | A-4009 | Pin (ϕ 5x40) | 1 |
| 22. | A-8516 | Spring | 2 |
| 23. | A-9801 | Brake Shoes Assembly | 1 |
| 24. | A-1509 | Flat Head Cap Screw (M5x10) | 1 |
| 25. | A-8423 | Spring | 1 |
| 26. | A-1702 | Nut (M10) | 1 |
| 27. | C-1122-2 | Guide Blocks | 1 |
| 28. | A-1215 | Socket Head Cap Screw (M8x30) | 1 |
| 29. | A-1203 | Socket Head Cap Screw (M6x16) | 4 |

HEADSTOCK : MECHANISM (CLUTCH)



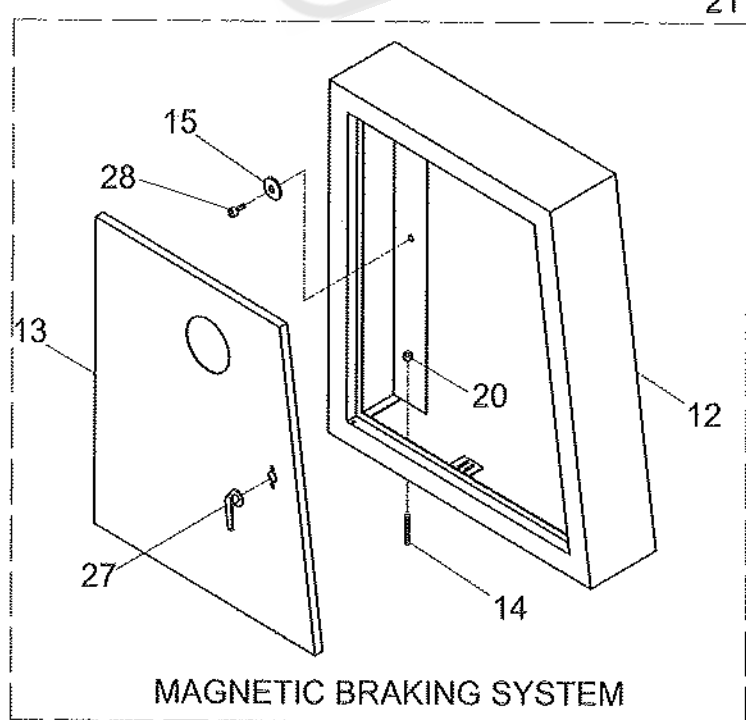
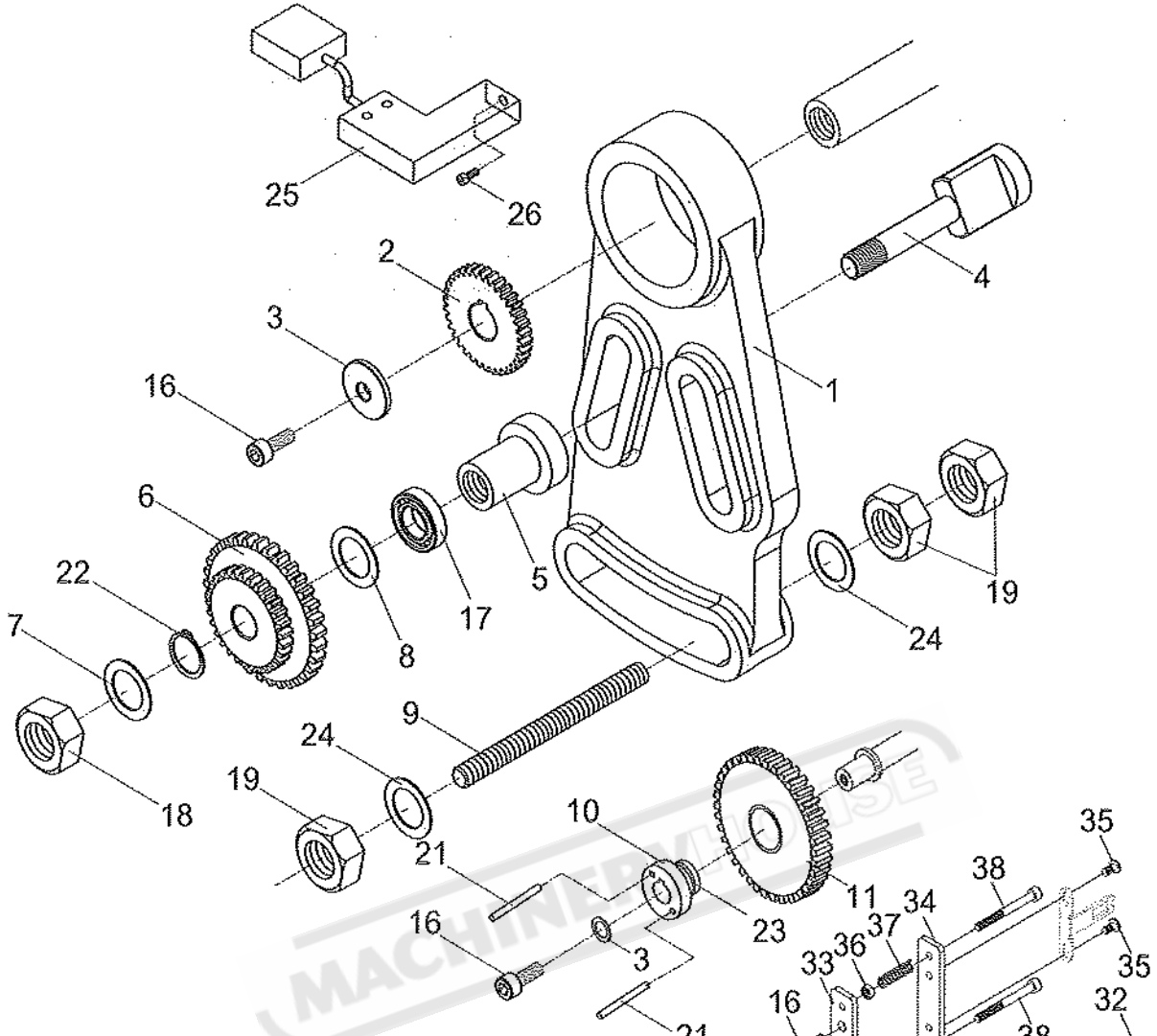
| <u>NO.</u> | <u>PART NO.</u> | <u>DESCRIPTION</u> | <u>QUANTITY</u> |
|------------|-----------------|----------------------------------|-----------------|
| 1. | C-1117-1 | Drum | 1 |
| 2. | C-1117-2 | Collar | 1 |
| 3. | C-1118 | Stud | 1 |
| 4. | C-1119 | Catch Assembly | 1 |
| 5. | C-1120 | Bush | 1 |
| 6. | C-1122 | Guide Blocks | 1 |
| 7. | C-1123 | Strap Plate | 1 |
| 8. | C-1124 | Operation Bar | 1 |
| 9. | C-1125 | Pivot | 1 |
| 10. | C-7009 | Flanges | 2 |
| 11. | C-7010 | Connect Shafts | 2 |
| 12. | C-7011 | Pedal | 1 |
| 13. | A-1205 | Socket Head Cap Screw (M6x25) | 2 |
| 14. | A-1213 | Socket Head Cap Screw (M8x20) | 1 |
| 15. | A-1219 | Socket Head Cap Screw (M10x20) | 1 |
| 16. | A-1106 | Socket Headless Set Screw (M8x8) | 2 |
| 17. | A-6003 | O-Ring (P10A) | 1 |
| 18. | A-6030 | O-Ring (P16) | 1 |
| 19. | A-3300 | Circlip (S14) | 1 |
| 20. | A-3100 | Circlip (E6) | 1 |
| 21. | A-4009 | Pin (ϕ 5x40) | 1 |
| 22. | A-8516 | Spring | 2 |
| 23. | A-9801 | Brake Shoes Assembly | 1 |
| 24. | A-1509 | Flat Head Cap Screw (M5x10) | 1 |
| 25. | A-8423 | Spring | 1 |
| 26. | A-1702 | Nut (M10) | 1 |
| 27. | C-1246 | Pivot | 2 |
| 28. | A-1215 | Socket Head Cap Screw (M8x30) | 1 |
| 29. | A-1203 | Socket Head Cap Screw (M6x16) | 4 |
| 30. | C-1255 | Guide Block | 1 |
| 31. | C-1248 | Operating Guider | 1 |
| 32. | C-1256 | Strap Plate | 1 |
| 33. | C-1259 | Bush | 2 |
| 34. | A-1205 | Socket Head Cap Screw (M6x25) | 2 |
| 35. | A-1702 | Nut (M10) | 4 |

CLUTCH LINKAGE

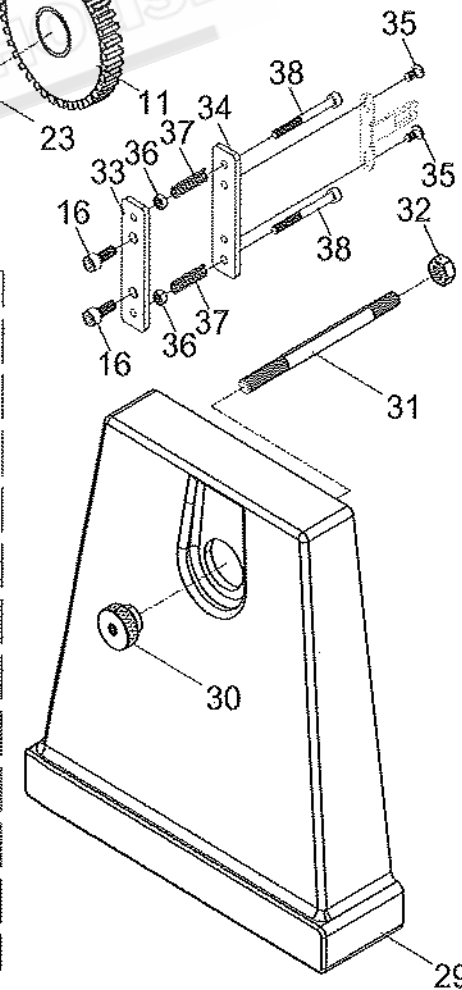


| <u>NO.</u> | <u>PART NO.</u> | <u>DESCRIPTION</u> | <u>QUANTITY</u> | <u>NO.</u> | <u>PART NO.</u> | <u>DESCRIPTION</u> | <u>QUANTITY</u> |
|------------|-----------------|-------------------------------|-----------------|------------|-----------------|--------------------------------|-----------------|
| 1. | C-1249 | Operating Bar | 1 | 41. | C-1246 | Pivot | 1 |
| 2. | C-1244 | Lever | 1 | 42. | A-1908 | Washer (ϕ 10) | 1 |
| 3. | C-1242 | Bracket | 1 | 43. | A-1217 | Socket Head Cap Screw (M8x45) | 2 |
| 4. | C-1230 | Operating Lever | 1 | 44. | C-1273 | Switch Plate | 1 |
| 5. | C-1227 | Shift Shaft | 1 | 45. | R-4018 | Collar | 1 |
| 6. | C-1226 | Shift Lever | 1 | 46. | A-1622 | Flat Head Driver Screw (M4x30) | 2 |
| 7. | C-1228 | Shift Fork | 1 | 47. | A-1729 | Nut (M4) | 2 |
| 8. | C-1229 | Sleeve | 1 | 48. | A-1202 | Socket Head Cap Screw | 2 |
| 9. | C-1231 | Bush | 1 | | | | |
| 10. | C-3015 | Washer | 1 | | | | |
| 11. | C-1235 | Pivot Plate | 1 | | | | |
| 12. | C-1236 | Bush | 1 | | | | |
| 13. | C-1233 | Roller | 1 | | | | |
| 14. | C-1234 | Roller Pin | 1 | | | | |
| 15. | C-1238 | Plate | 1 | | | | |
| 16. | A-1204 | Socket Head Cap Screw (M6x20) | 2 | | | | |
| 17. | A-9901 | Universal Jointer | 1 | | | | |
| 18. | A-9900 | Universal Jointer | 1 | | | | |
| 19. | C-1240 | Adjusting Rod | 1 | | | | |
| 20. | C-1241 | Adjusting Rod | 1 | | | | |
| 21. | A-7213 | Key (6x6x15) | 1 | | | | |
| 22. | C-1237 | Spring | 1 | | | | |
| 23. | C-1247 | Shaft | 1 | | | | |
| 24. | C-1245 | Bush | 1 | | | | |
| 25. | A-6005 | O-Ring (P14) | 1 | | | | |
| 26. | A-6010 | O-Ring (P22A) | 1 | | | | |
| 27. | C-1125 | Bush | 1 | | | | |
| 28. | A-1214 | Socket Head Cap Screw (M8x25) | 1 | | | | |
| 29. | A-1203 | Socket Head Cap Screw (M6x16) | 2 | | | | |
| 30. | A-1608 | Flat Head Cap Screw (M5x16) | 4 | | | | |
| 31. | A-4005 | Pin (ϕ 5x20) | 1 | | | | |
| 32. | A-1607 | Flat Head Cap Screw (M5x12) | 2 | | | | |
| 33. | A-1721 | Nylon Nut (M10) | 1 | | | | |
| 34. | A-1725 | Nut (M8-L) | 1 | | | | |
| 35. | A-1702 | Nut (M10) | 2 | | | | |
| 36. | A-1701 | Nut (M8) | 2 | | | | |
| 37. | A-3100 | Circlip (E6) | 1 | | | | |
| 38. | A-1902 | Washer (ϕ 8) | 2 | | | | |
| 39. | A-4008 | Pin (ϕ 5x36) | 2 | | | | |
| 40. | A-3101 | Circlip (E7) | 2 | | | | |

SWING FRAME : END GEARS & COVER

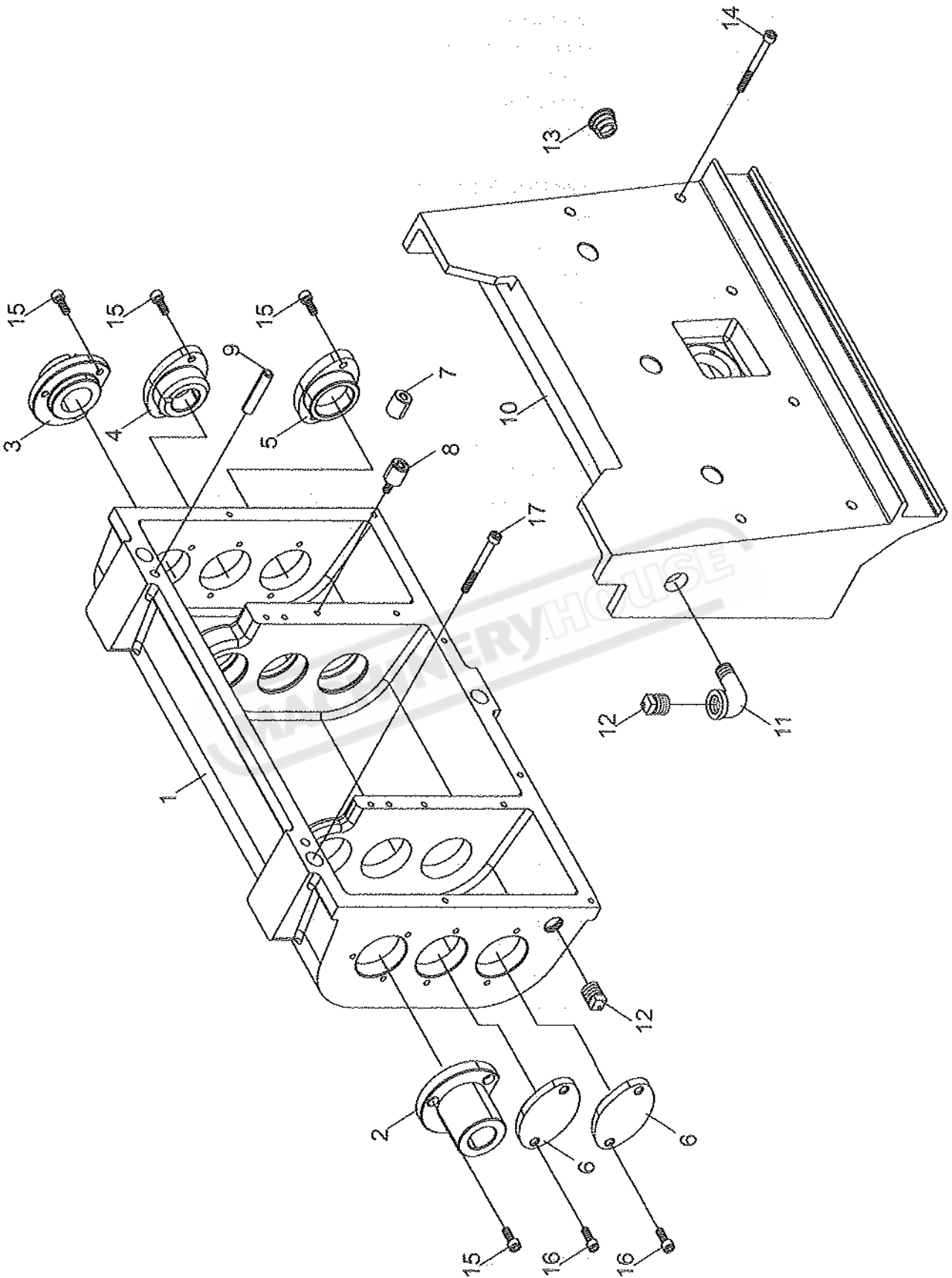


MAGNETIC BRAKING SYSTEM



| <u>NO.</u> | <u>PART NO.</u> | <u>DESCRIPTION</u> | <u>QUANTITY</u> |
|------------|-----------------|---|-----------------|
| 1. | C-1126 | Swing Frame | 1 |
| 2. | C-1127 | Gear (24T)(Inches) | 1 |
| | C-1147 | Gear (28T)(Metric) | 1 |
| 3. | C-1028 | Collar | 2 |
| 4. | C-1129 | Gear Shaft | 1 |
| 5. | C-1130 | Gear Collar | 1 |
| 6. | C-1131 | Idler Gear (44/56T) (Inches) | 1 |
| | C-1149 | Idler Gear (54/55T) (Metric) | 1 |
| 7. | C-1132 | Washer | 1 |
| 8. | C-1133 | Spacer | 1 |
| 9. | M-1134 | Stud | 1 |
| 10. | C-1135 | Bush | 1 |
| 11. | C-1136 | Gear (57T) (Inches) | 1 |
| | C-1148 | Gear (64T) (Metric) | 1 |
| 12. | C-1171 | End Cover (OPTION) | 1 |
| 13. | C-1172 | Door (OPTION) | 1 |
| 14. | A-1148 | Socket Headless Set Screw (M8x30L) (OPTION) | 2 |
| 15. | A-1801 | Spring Washer (ø1/4" (OPTION) | 7 |
| 16. | A-1203 | Socket Head Cap Screw (M6x16L) | 4 |
| 17. | A2026 | Bearing (#6004) | 2 |
| 18. | A-1703 | Nut (M12) | 1 |
| 19. | A-1720 | Nut (M16) | 3 |
| 20. | A-1701 | Nut (M8) (OPTION) | 2 |
| 21. | C-1145 | Shear Pin (ø3x32) | 2 |
| 22. | A-3203 | Circlip (R42) | 2 |
| 23. | A-3314 | Circlip (S35) | 1 |
| 24. | C-1128 | Washer | 2 |
| 25. | C-8039 | Bracket for Sensor (VS) | 1 |
| 26. | A-1202 | Socket Head Cap Screw (M6x12L) (VS) | 1 |
| 27. | A-9012 | Handle (OPTION) | 1 |
| 28. | A-1202 | Socket Head Cap Screw (M6x12L) | 7 |
| 29. | C-1140 | End Cover | 1 |
| 30. | C-1138 | Knurl Nut | 1 |
| 31. | T-8002 | Stud | 1 |
| 32. | A-1701 | Nut (M8) | 1 |
| 33. | C-8125 | Bracket (CE) | 1 |
| 34. | C-8124 | Bracket (CE) | 1 |
| 35. | A-1536 | Cross Recessed Head Screw (M5x12L) (CE) | 2 |
| 36. | A-1700 | Nut (M6) (CE) | 2 |
| 37. | A-8429 | Spring (CE) | 2 |
| 38. | A-1307 | Socket Head Cap Screw (M5x70L) (CE) | 2 |

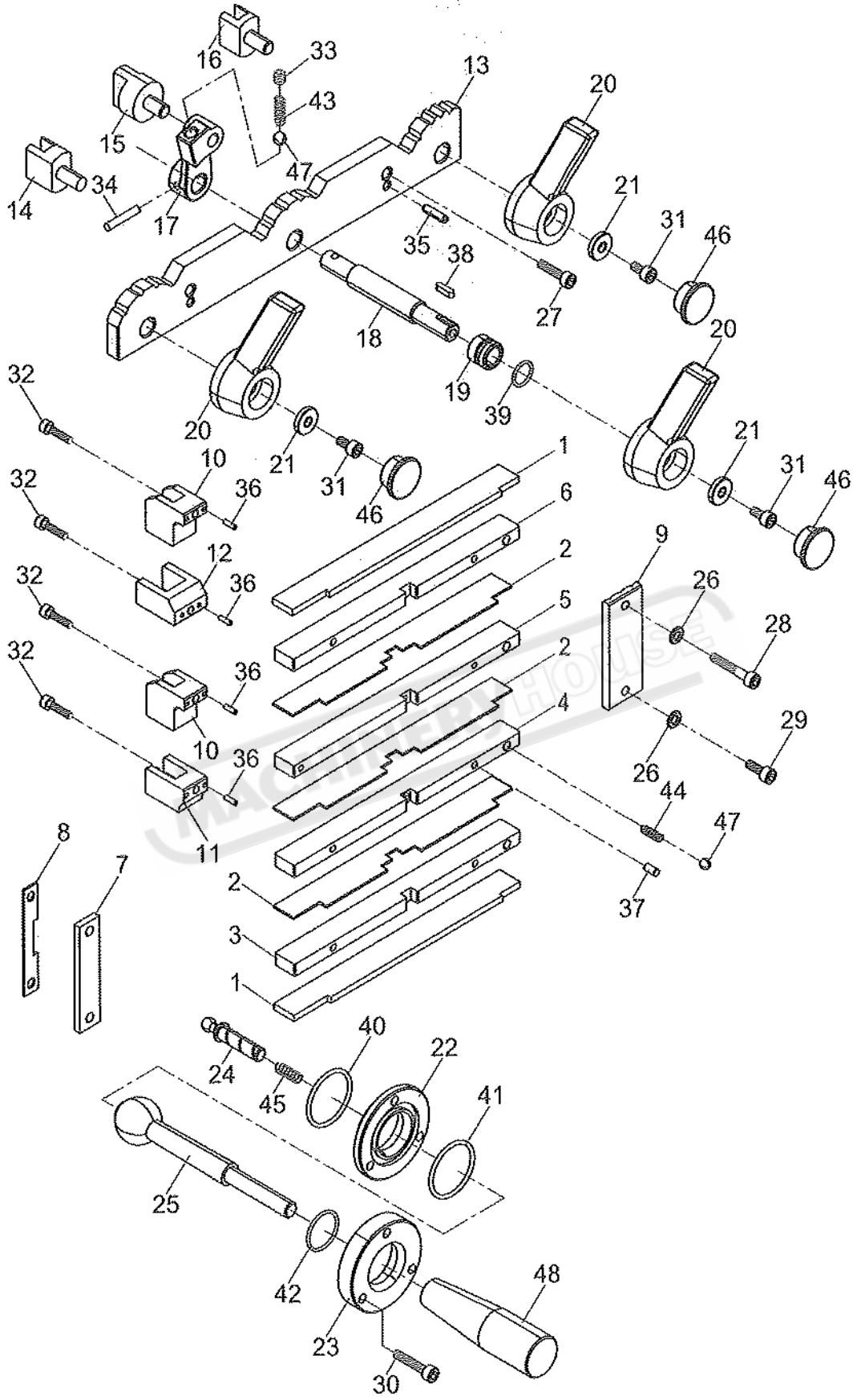
GEARBOX : CASTINGS



| <u>NO.</u> | <u>PART NO.</u> | <u>DESCRIPTION</u> | <u>QUANTITY</u> |
|------------|-----------------|--------------------------------|-----------------|
| 1. | C-2001 | Feed Gearbox Casting | 1 |
| 2. | C-2002 | Flanged Bearing | 1 |
| 3. | C-2003 | Flanged Bearing | 1 |
| 4. | C-2004 | Flanged Bearing | 1 |
| 5. | C-2005 | Flanged Bearing | 1 |
| 6. | C-2006 | Cover | 2 |
| 7. | C-2007 | Top Spacer | 2 |
| 8. | C-2008 | Bottom Spacer | 2 |
| 9. | C-2009 | Dowel | 2 |
| 10. | C-2010 | Front Cover | 1 |
| 11. | A-1127 | Elbow (3/4"PT) | 1 |
| 12. | A-1126 | Plug (3/4"PT) | 2 |
| 13. | A-9501 | Oil Sight | 1 |
| 14. | A-1236 | Socket Head Cap Screw (M6x90) | 6 |
| 15. | A-1203 | Socket Head Cap Screw (M6x16) | 10 |
| 16. | A-1204 | Socket Head Cap Screw (M6x20) | 4 |
| 17. | A-1290 | Socket Head Cap Screw (M10x60) | 3 |

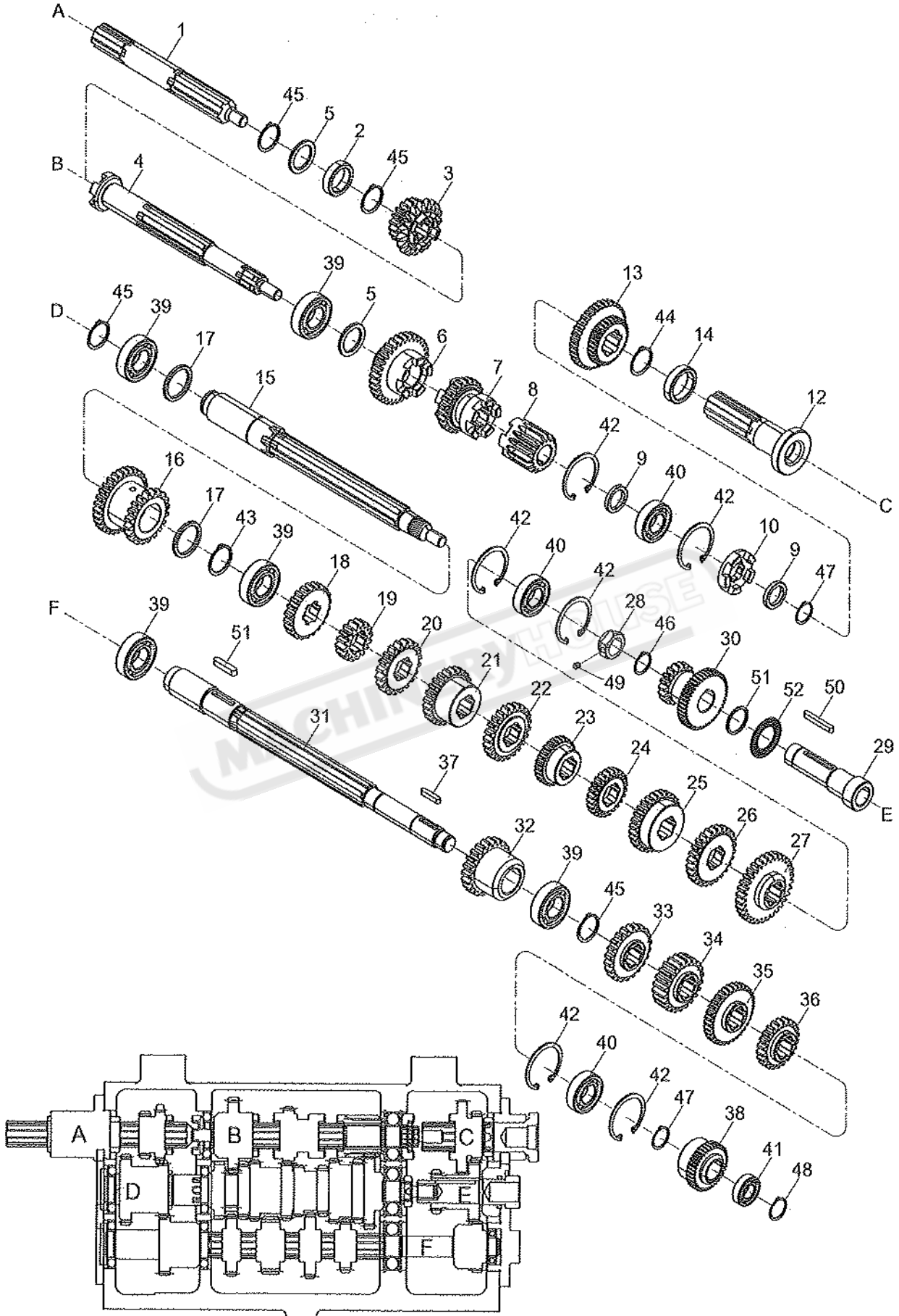
MACHINERYHOUSE

GEARBOX : CONTROLS



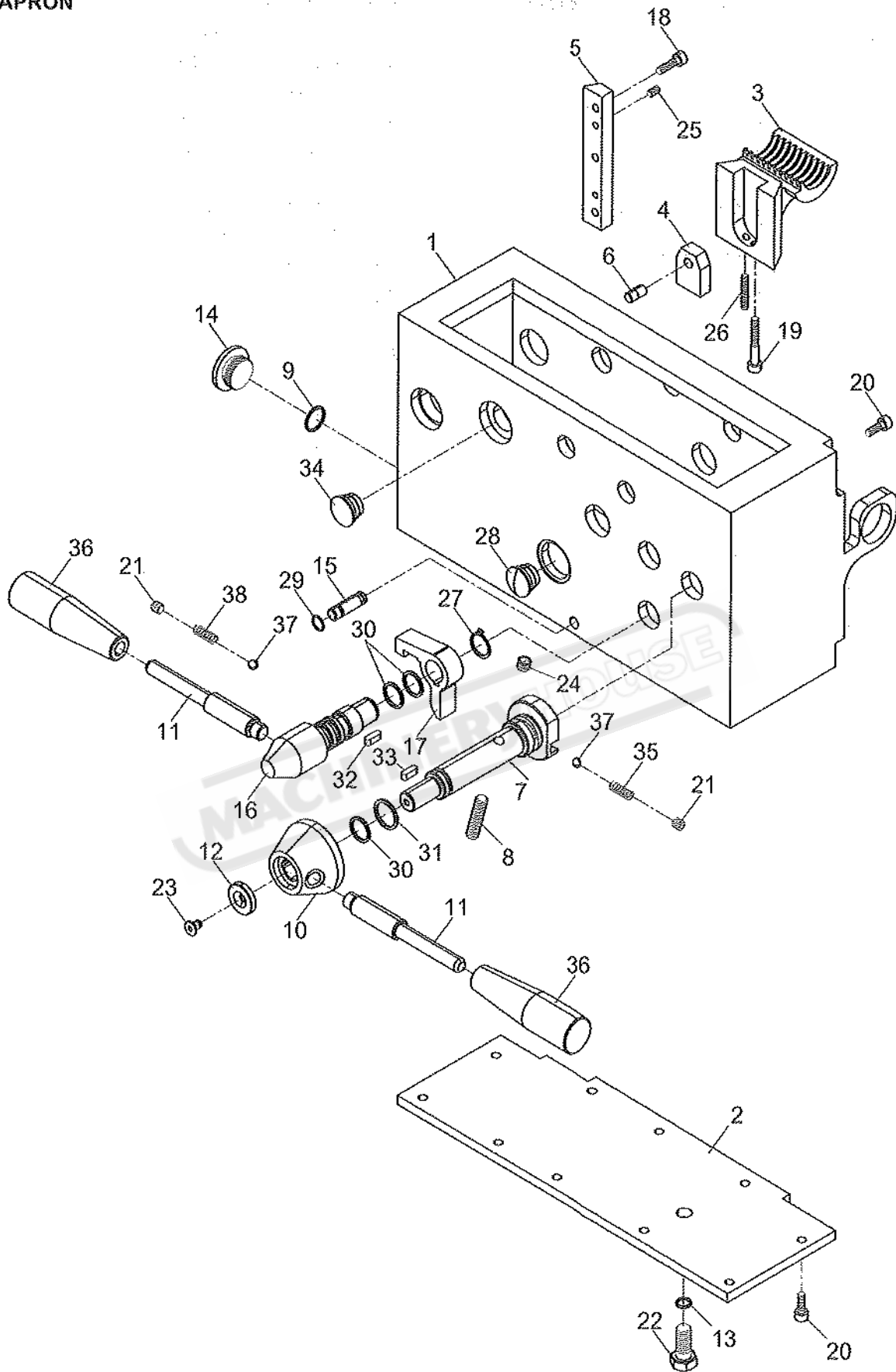
| <u>NO.</u> | <u>PART NO.</u> | <u>DESCRIPTION</u> | <u>QUANTITY</u> | <u>NO.</u> | <u>PART NO.</u> | <u>DESCRIPTION</u> | <u>QUANTITY</u> |
|------------|-----------------|-------------------------------|-----------------|------------|-----------------|---------------------|-----------------|
| 1. | C-2013 | Top & Bottom Plate | 2 | 41. | A-6017 | O-Ring (P36) | 1 |
| 2. | C-2014 | Dividing Plate | 3 | 42. | A-6015 | O-Ring (P29) | 1 |
| 3. | C-2015-1 | Guide Plate | 1 | 43. | A-8405 | Spring | 3 |
| 4. | C-2015-2 | Guide Plate | 1 | 44. | A-8406 | Spring | 4 |
| 5. | C-2015-3 | Guide Plate | 1 | 45. | A-8407 | Spring | 1 |
| 6. | C-2015-4 | Guide Plate | 1 | 46. | C-2075 | Plug | 3 |
| 7. | C-2016 | Bar Setter | 1 | 47. | A-9202 | Ball (ϕ 1/4") | 7 |
| 8. | C-2017 | Spacer | 2 | 48. | A-9107 | Handle | 1 |
| 9. | C-2018 | Detent Plate | 1 | | | | |
| 10. | C-2019 | Fork | 2 | | | | |
| 11. | C-2020 | Fork | 1 | | | | |
| 12. | C-2021 | Fork | 1 | | | | |
| 13. | C-2022 | Select Bar | 1 | | | | |
| 14. | C-2023 | Select Fork (Left) | 1 | | | | |
| 15. | C-2024 | Select Fork (Mid.) | 1 | | | | |
| 16. | C-2025 | Select Fork (Right) | 1 | | | | |
| 17. | C-2026 | Select Lever | 3 | | | | |
| 18. | C-2028 | Handle Shaft | 3 | | | | |
| 19. | C-2029 | Bush | 3 | | | | |
| 20. | C-1087 | Handle | 3 | | | | |
| 21. | R-1030 | Washer | 3 | | | | |
| 22. | C-2032 | Seating | 1 | | | | |
| 23. | C-2033 | Cover | 1 | | | | |
| 24. | C-2034 | Selector | 1 | | | | |
| 25. | C-2035 | Selector Lever | 1 | | | | |
| 26. | A-1801 | Washer (1/4") | 2 | | | | |
| 27. | A-1205 | Socket Head Cap Screw (M6x25) | 2 | | | | |
| 28. | A-1207 | Socket Head Cap Screw (M6x35) | 2 | | | | |
| 29. | A-1203 | Socket Head Cap Screw (M6x15) | 2 | | | | |
| 30. | A-1206 | Socket Head Cap Screw (M6x30) | 3 | | | | |
| 31. | A-1202 | Socket Head Cap Screw (M6x12) | 3 | | | | |
| 32. | A-1292 | Socket Head Cap Screw (M5x20) | 4 | | | | |
| 33. | A-1106 | Socket Headless Set Screw | 3 | | | | |
| 34. | A-4203 | Pin | 3 | | | | |
| 35. | A-4005 | Pin (ϕ 5x20) | 2 | | | | |
| 36. | A-4000 | Pin (ϕ 3x10) | 8 | | | | |
| 37. | A-4004 | Pin (ϕ 5x10) | 8 | | | | |
| 38. | A-7202 | Key (4x4x15) | 3 | | | | |
| 39. | A-6006 | O-Ring (P15) | 3 | | | | |
| 40. | A-6018 | O-Ring (P38) | 1 | | | | |

GEARBOX : GEARS



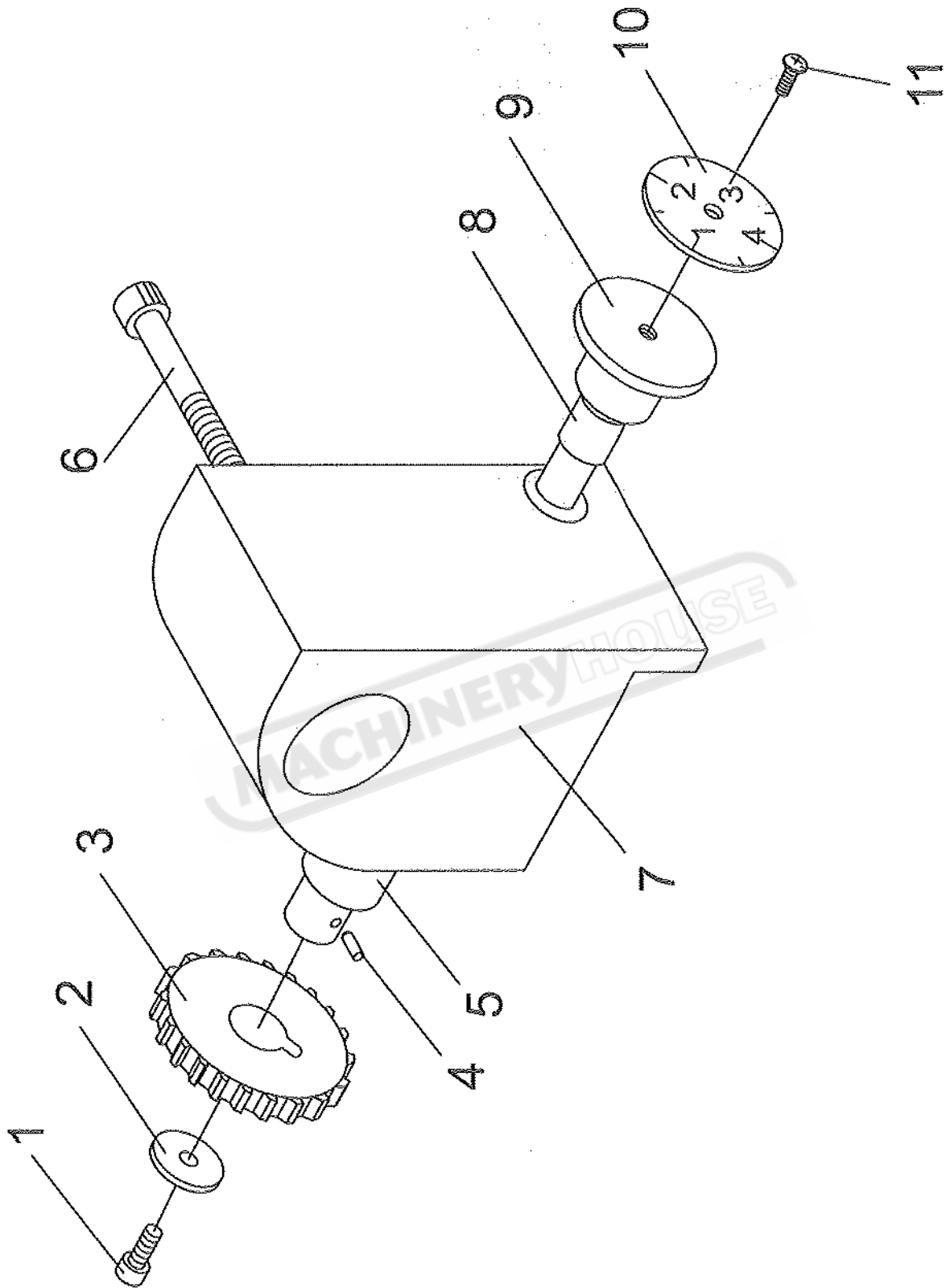
| <u>NO.</u> | <u>PART NO.</u> | <u>DESCRIPTION</u> | <u>QUANTITY</u> | <u>NO.</u> | <u>PART NO.</u> | <u>DESCRIPTION</u> | <u>QUANTITY</u> |
|------------|-----------------|--------------------|-----------------|------------|-----------------|--------------------------------------|-----------------|
| 1. | C-2037 | Shaft (A) | 1 | 41. | A-2003 | Bearing (16003) | 1 |
| 2. | C-2038 | Collar | 1 | 42. | A-3204 | Circlip (R47) | 6 |
| 3. | C-2039 | Gear (19T/19T) | 1 | 43. | A-3312 | Circlip (S30) | 1 |
| 4. | C-2040 | Shaft (B) | 1 | 44. | A-3310 | Circlip (S28) | 1 |
| 5. | C-2041 | Collar | 2 | 45. | A-3309 | Circlip (S25) | 4 |
| 6. | C-2042 | Gear (32T) | 1 | 46. | A-3307 | Circlip (S22) | 1 |
| 7. | C-2043 | Gear (23T) | 1 | 47. | A-3306 | Circlip (S20) | 2 |
| 8. | C-2044 | Gear (16T) | 1 | 48. | A-3303 | Circlip (S17) | 1 |
| 9. | C-2045 | Spacer | 2 | 49. | A-1100 | Socket Headless Set Screw (M6x6L) | 1 |
| 10. | C-2046 | Clutch | 1 | 50. | A-7210 | Key (5x5x40) | 1 |
| 11. | A-7215 | Key (6x6x30) | 1 | 51. | A-6013 | O-Ring (P25) | 1 |
| 12. | C-2048 | Shaft (C) | 1 | 52. | A-2055-1 | Bearing (NTB2542) | 1 |
| 13. | C-2049 | Gear (35T/35T) | 1 | | | | |
| 14. | C-2050 | Collar | 1 | | | | |
| 15. | C-2051 | Shaft (D) | 1 | | | | |
| 16. | C-2052 | Gear (30T/20T) | 1 | | | | |
| 17. | C-2053 | Collar | 2 | | | | |
| 18. | C-2054 | Gear (22T) | 1 | | | | |
| 19. | C-2055 | Gear (16T) | 1 | | | | |
| 20. | C-2056 | Gear (20T) | 1 | | | | |
| 21. | C-2057 | Gear (24T) | 1 | | | | |
| 22. | C-2058 | Gear (23T) | 1 | | | | |
| 23. | C-2059 | Gear (27T) | 1 | | | | |
| 24. | C-2060 | Gear (24T) | 1 | | | | |
| 25. | C-2061 | Gear (28T) | 1 | | | | |
| 26. | C-2062 | Gear (26T) | 1 | | | | |
| 27. | C-2063 | Gear (32T) | 1 | | | | |
| 28. | C-2064 | Nut | 1 | | | | |
| 29. | C-2065 | Shaft (E) | 1 | | | | |
| 30. | C-2066 | Gear (18T/45T) | 1 | | | | |
| 31. | C-2067 | Shaft (F) | 1 | | | | |
| 32. | C-2068 | Gear (22T) | 1 | | | | |
| 33. | C-2069 | Gear (22T) | 1 | | | | |
| 34. | C-2070 | Gear (22T) | 1 | | | | |
| 35. | C-2071 | Gear (33T) | 1 | | | | |
| 36. | C-2072 | Gear (22T) | 1 | | | | |
| 37. | A-7207 | Key (5x5x25) | 1 | | | | |
| 38. | C-2074 | Gear (36T) | 1 | | | | |
| 39. | A-2004 | Bearing (16005) | 5 | | | | |
| 40. | A-2034 | Bearing (6204) | 3 | | | | |

APRON



| <u>NO.</u> | <u>PART NO.</u> | <u>DESCRIPTION</u> | <u>QUANTITY</u> |
|------------|-----------------|------------------------------------|-----------------|
| 1. | C-3301-1 | Apron Casting (R.H.) | 1 |
| | C-3301-2 | Apron Casting (L.H.) | 1 |
| 2. | C-3002-1 | Bottom Plate (R.H.) | 1 |
| | C-3002-2 | Bottom Plate (L.H.) | 1 |
| 3. | C-3303-1 | Half Nut (Metric) | 1 |
| | C-3303-2 | Half Nut (Inch) | 1 |
| 4. | C-3004 | Guide Plate | 1 |
| 5. | C-3005 | Gib | 1 |
| 6. | C-3008 | Stud | 1 |
| 7. | C-3010-1 | Camshaft (R.H.) | 1 |
| | C-3010-2 | Camshaft (L.H.) | 1 |
| 8. | A-1132 | Socket Headless Set Screw (M10x40) | 1 |
| 9. | A-6008 | O-Ring (P20) | 1 |
| 10. | C-3013 | Handle Boss | 1 |
| 11. | C-5026-1 | Handle | 2 |
| 12. | C-3015 | Washer | 1 |
| 13. | A-6004 | O-Ring (P12) | 1 |
| 14. | C-3017 | Plug | 1 |
| 15. | C-3018 | Pin | 1 |
| 16. | C-3019 | Lever Assembly | 1 |
| 17. | C-3020 | Latch | 1 |
| 18. | A-1204 | Socket Head Cap Screw (M6x20) | 3 |
| 19. | A-1208 | Socket Head Cap Screw (M6x40) | 1 |
| 20. | A-1203 | Socket Head Cap Screw (M6x16) | 11 |
| 21. | A-1106 | Socket Headless Set Screw (M8x8) | 2 |
| 22. | A-1426 | Hexagon Bolt (M12x16) | 1 |
| 23. | A-1610 | Socket Flat Head Screw (M6x12) | 1 |
| 24. | A-1166 | Socket Headless Set Screw (M10x10) | 1 |
| 25. | A-1101 | Socket Headless Set Screw (M6x8) | 2 |
| 26. | A-1105 | Socket Headless Set Screw (M6x30) | 1 |
| 27. | A-3304 | Circlip (S18) | 1 |
| 28. | A-9501 | Oil Sight | 1 |
| 29. | A-6000 | O-Ring (P7) | 1 |
| 30. | A-6007 | O-Ring (P18) | 3 |
| 31. | A-6012 | O-Ring (P24) | 1 |
| 32. | A-7205 | Key (5x5x15) | 1 |
| 33. | A-7228 | Key (4x4x20) | 1 |
| 34. | A-4505 | Plug | 1 |
| 35. | A-8405 | Spring | 1 |
| 36. | A-9107 | Handle | 2 |
| 37. | A-9202 | Ball (ϕ 1/4') | 2 |
| 38. | A-8406 | Spring | 1 |

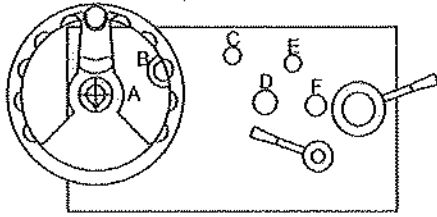
THREADING DIALS



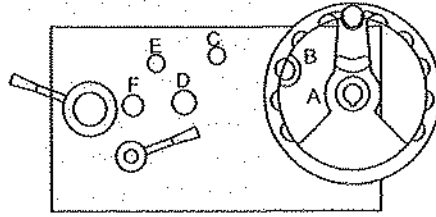
| <u>NO.</u> | <u>PART NO.</u> | <u>DESCRIPTION</u> | <u>QUANTITY</u> |
|------------|-----------------|----------------------------------|-----------------|
| 1. | A-1231 | Socket Head Cap Screw (M6x10) | 1 |
| 2. | A-1901 | Washer (ϕ 6) | 1 |
| 3. | C-3076 | Gear (16T) (Imperial) | 1 |
| | C-3080 | Gear (14T) (Metric) | 1 |
| | C-3081 | Gear (13T) (Metric) | 1 |
| | C-3082 | Gear (18T) (Metric) | 1 |
| | C-3083 | Gear (20T) (Metric) | 1 |
| | C-3084 | Gear (22T) (Metric) | 1 |
| 4. | A-4018 | Pin (ϕ 3x15) | 1 |
| 5 | T-8020 | Bush | 1 |
| 6. | A-1242 | Socket Head Cap Screw (M8x60) | 1 |
| 7. | T-8017-3 | Guard | 1 |
| 8. | A-2154 | Bush | 1 |
| 9. | T-8019 | Stem | 1 |
| 10. | NC-26 | Index Plate (Imperial) | 1 |
| | NC-39 | Index Plate (Metric) | 1 |
| 11. | A-1526 | Cross Recessed Head Screw (M4x6) | 1 |

MACHINERYHOUSE

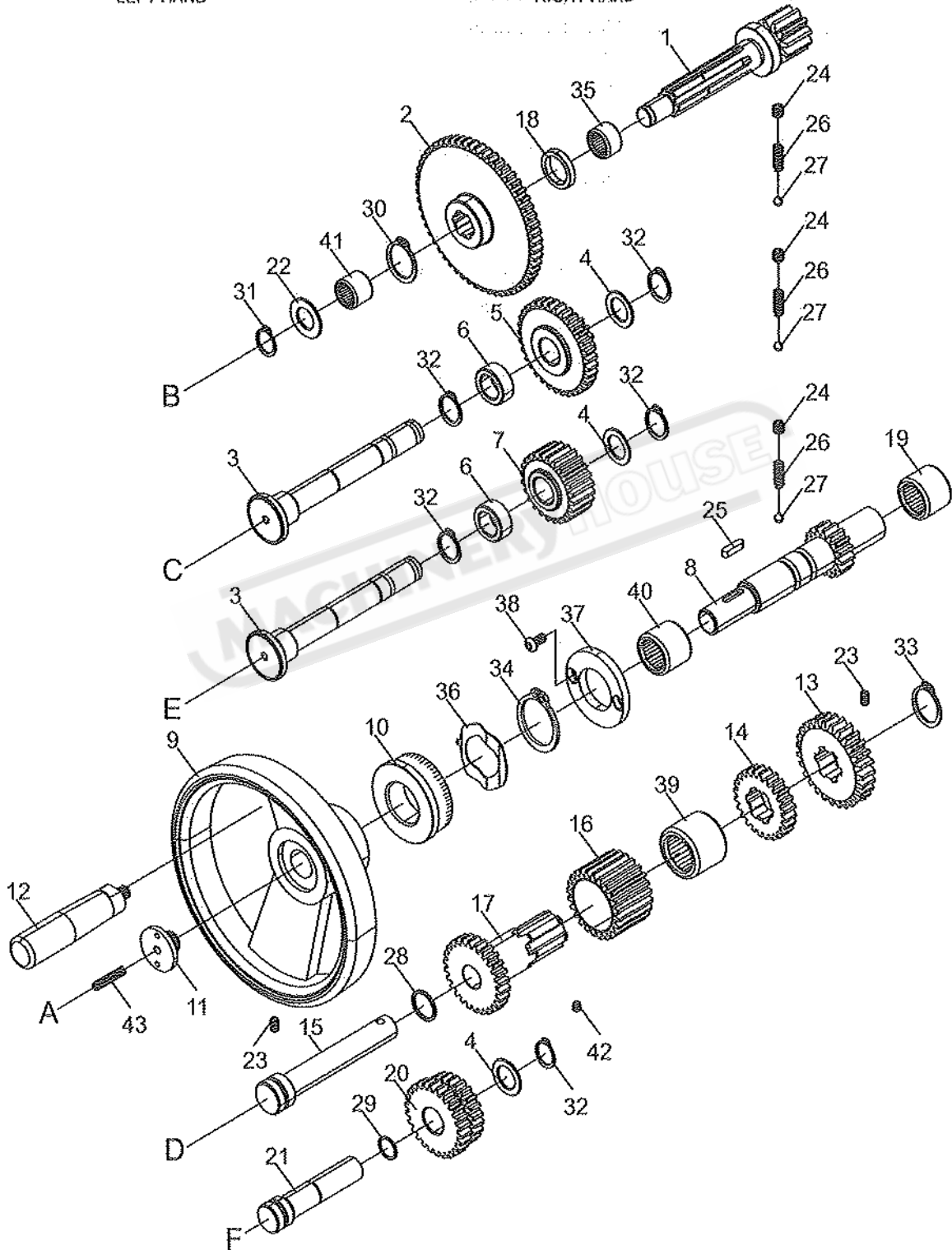
APRON CONTROLS



LEFT HAND

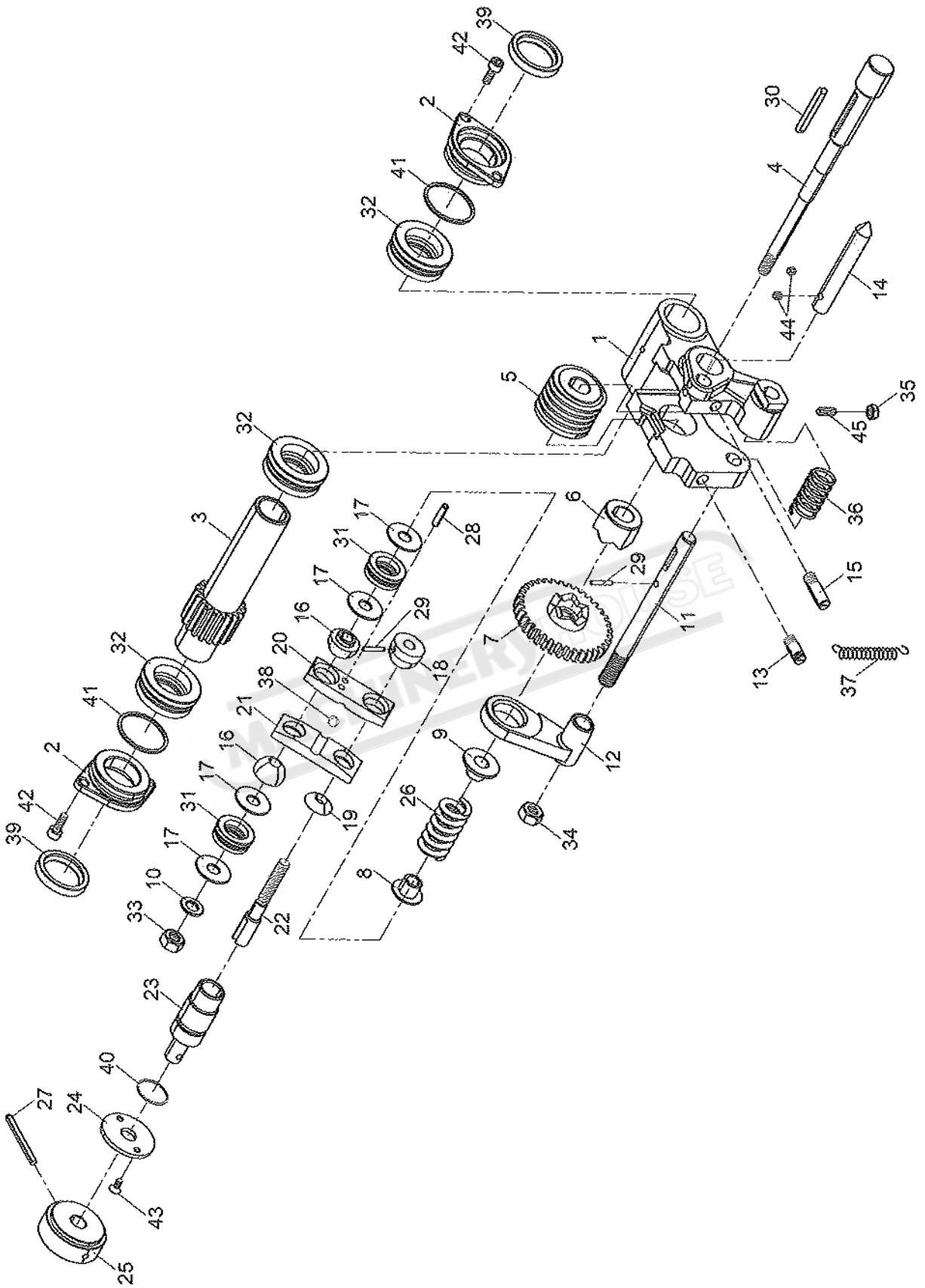


RIGHT HAND



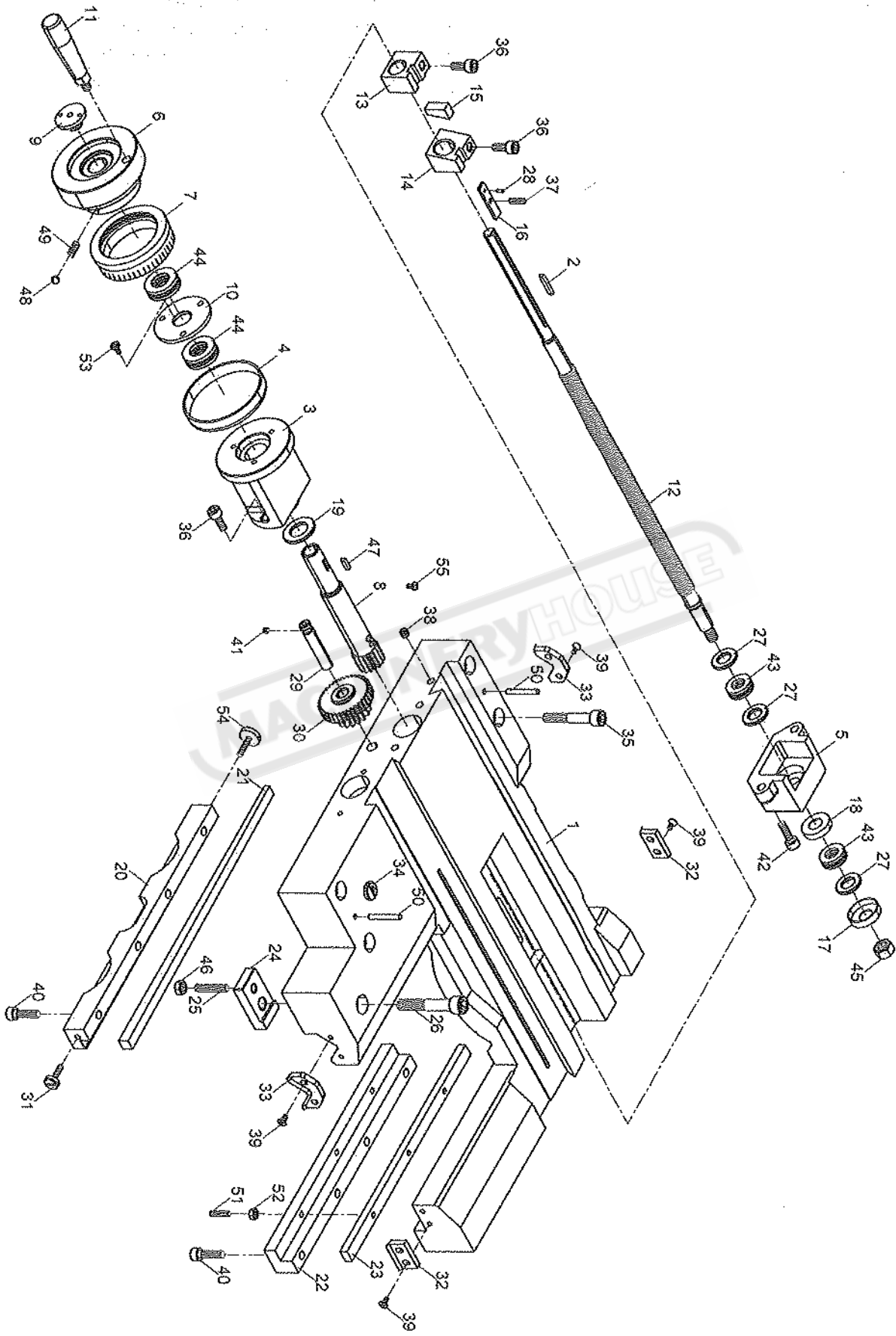
| <u>NO.</u> | <u>PART NO.</u> | <u>DESCRIPTION</u> | <u>QUANTITY</u> | <u>NO.</u> | <u>PART NO.</u> | <u>DESCRIPTION</u> | <u>QUANTITY</u> |
|------------|-----------------|-------------------------------------|-----------------|------------|-----------------|-----------------------------------|-----------------|
| 1. | C-3021 | Rack Pinion | 1 | 41. | A-2066 | Bearing (BA105) | 1 |
| 2. | C-3022 | Gear (56T) | 1 | 42. | A-1100 | Socket Headless Set Screw (M6x6) | 1 |
| 3. | C-3023 | Shaft (C.E.) | 2 | 43. | A-1105 | Socket Headless Set Screw (M6x30) | 1 |
| 4. | C-3024 | Washer | 3 | | | | |
| 5. | C-3025 | Gear (15/33T) | 1 | | | | |
| 6. | C-3026 | Collar | 2 | | | | |
| 7. | C-3028 | Gear (24T) | 1 | | | | |
| 8. | C-3029 | Shaft (A) | 1 | | | | |
| 9. | T-6008 | Handwheel | 1 | | | | |
| 10. | C-3093 | Dial (Metric) | 1 | | | | |
| | C-3093-1 | Dial (Inches) | 1 | | | | |
| 11. | C-3092 | Plug | 1 | | | | |
| 12. | C-3034 | Handle | 1 | | | | |
| 13. | C-3035 | Gear (27T) | 1 | | | | |
| 14. | C-3036 | Gear (24T) | 1 | | | | |
| 15. | C-3037 | Shaft (D) | 1 | | | | |
| 16. | C-3038 | Pinion Gear | 1 | | | | |
| 17. | C-3039 | Pinion Shaft | 1 | | | | |
| 18. | C-3021-1 | Washer | 1 | | | | |
| 19. | A-2068 | Bearing (NA6905) | 1 | | | | |
| 20. | C-3042 | Gear (24T/26T) | 1 | | | | |
| 21. | C-3043 | Shaft (F) | 1 | | | | |
| 22. | C-3012 | Washer | 1 | | | | |
| 23. | A-1101 | Socket Headless Set Screw (M6x10) | 2 | | | | |
| 24. | A-1106 | Socket Headless Set Screw (M8x8) | 3 | | | | |
| 25. | A-7206 | Key (5x5x20) | 1 | | | | |
| 26. | A-8405 | Spring | 3 | | | | |
| 27. | A-9202 | Ball (ϕ 1/4") | 3 | | | | |
| 28. | A-6009 | O-Ring (P21) | 1 | | | | |
| 29. | A-6007 | O-Ring (P18) | 1 | | | | |
| 30. | A-3307 | Circlip (S22) | 1 | | | | |
| 31. | A-3302 | Circlip (S16) | 1 | | | | |
| 32. | A-3304 | Circlip (S18) | 5 | | | | |
| 33. | A-3310 | Circlip (S28) | 1 | | | | |
| 34. | A-3313 | Circlip (S32) | 1 | | | | |
| 35. | A-2127 | Bearing (RNA6922) | 1 | | | | |
| 36. | A-3106 | Wave Washer (BW6204) | 1 | | | | |
| 37. | C-3094 | Collar | 1 | | | | |
| 38. | A-1510 | Socket Round Head Cap Screw (M6x12) | 2 | | | | |
| 39. | A-2129 | Needle Bearing (TAF304030) | 1 | | | | |
| 40. | A-2050 | Bearing (RNA4905) | 1 | | | | |

APRON WORMBOX



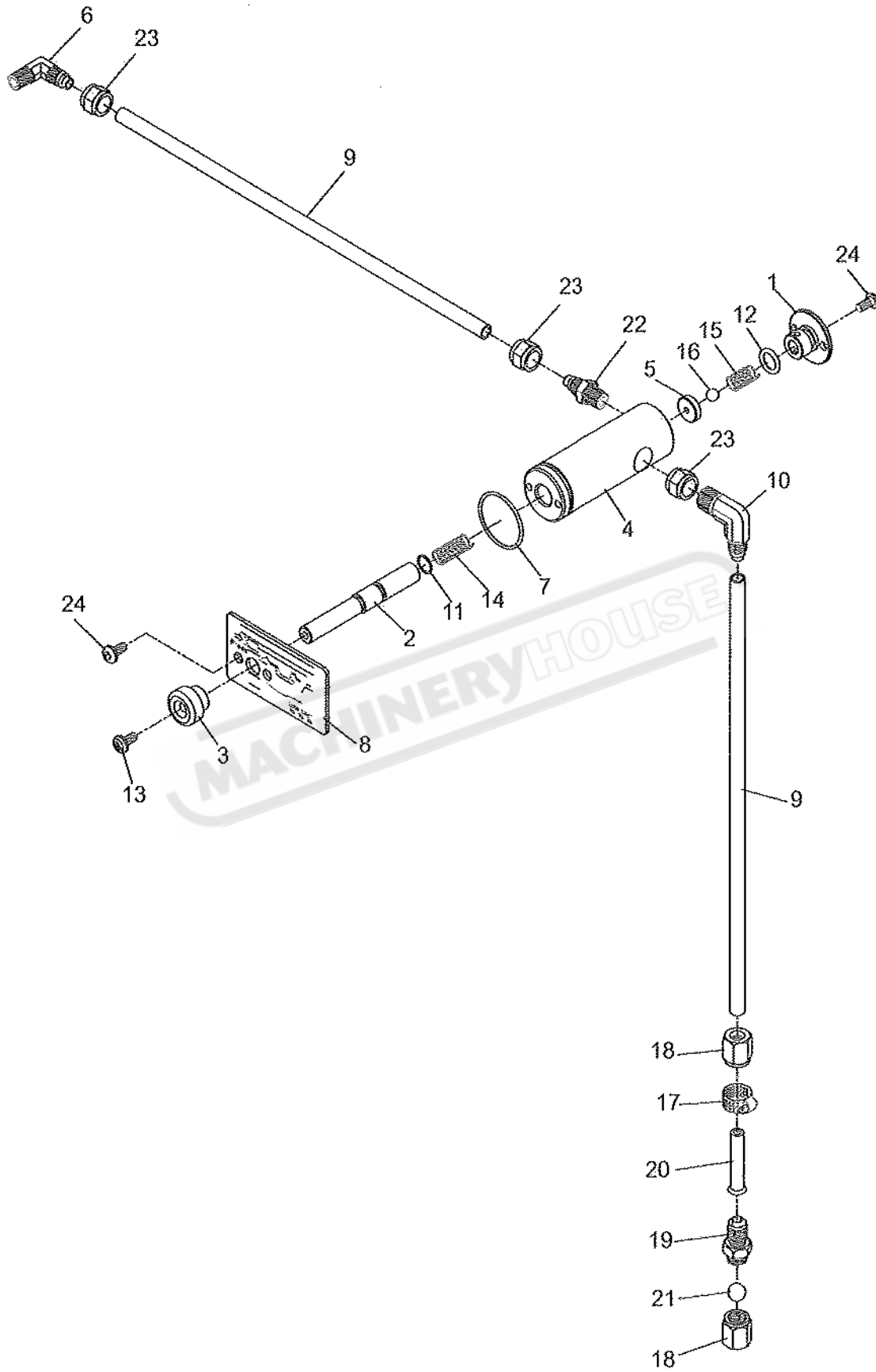
| <u>NO.</u> | <u>PART NO.</u> | <u>DESCRIPTION</u> | <u>QUANTITY</u> | <u>NO.</u> | <u>PART NO.</u> | <u>DESCRIPTION</u> | <u>QUANTITY</u> |
|------------|-----------------|----------------------|-----------------|------------|-----------------|--|-----------------|
| 1. | C-3044-1 | Worm Set, R.H. | 1 | 41. | A-6020 | O-Ring (P42) | 2 |
| | C-3044-2 | Worm Set, L.H. | 1 | 42. | A-1203 | Socket Head Cap Screw (M6x16L) | 4 |
| 2. | C-3045 | Bush Assembly | 2 | 43. | A-1601 | Cross Recessed Head Screw (3/16"x3/8") | 2 |
| 3. | C-3046 | Pinion | 1 | 44. | A-1100 | Socket Headless Set Screw (M6x6L) | 2 |
| 4. | C-3048 | Trip Shaft | 1 | 45. | A-1103 | Socket Headless Set Screw (M6x16L) | 1 |
| 5. | C-3049 | Worm | 1 | | | | |
| 6. | C-3050 | Bush | 1 | | | | |
| 7. | C-3051 | Clutch Gear Assembly | 1 | | | | |
| 8. | C-3052-1 | Collar | 1 | | | | |
| 9. | C-3052-2 | Collar | 1 | | | | |
| 10. | C-3053 | Washer | 1 | | | | |
| 11. | C-3054 | Rod | 1 | | | | |
| 12. | C-3055 | Lever | 1 | | | | |
| 13. | C-3056 | Stud | 1 | | | | |
| 14. | C-3057 | Inter-Lock Shaft | 1 | | | | |
| 15. | C-3058 | Stud | 1 | | | | |
| 16. | C-3059 | Dent | 2 | | | | |
| 17. | C-3060 | Washer | 4 | | | | |
| 18. | C-3061 | Dent | 1 | | | | |
| 19. | C-3063 | Dent | 1 | | | | |
| 20. | C-3064 | Plate | 1 | | | | |
| 21. | C-3065 | Plate | 1 | | | | |
| 22. | C-3066 | Adjusting Shaft | 1 | | | | |
| 23. | C-3067 | Coupling Assembly | 1 | | | | |
| 24. | C-3069 | Adapting Plate | 1 | | | | |
| 25. | C-3070 | Adjusting Knob | 1 | | | | |
| 26. | C-3092 | Spring | 1 | | | | |
| 27. | A-4011 | Pin (øx50) | 1 | | | | |
| 28. | A-4005 | Pin (øx20) | 2 | | | | |
| 29. | A-4001 | Pin (øx20) | 1 | | | | |
| 30. | A-7229 | Key (5x5x45) | 1 | | | | |
| 31. | A-2000 | Bearing (#1528 AS) | 2 | | | | |
| 32. | A-2002 | Bearing (#3047 AS) | 3 | | | | |
| 33. | A-1719 | Nylon Nut (3/8") | 1 | | | | |
| 34. | A-1712 | Nut (1/2"UNC) | 1 | | | | |
| 35. | A-1700 | Nut (M6) | 1 | | | | |
| 36. | A-8408 | Spring | 1 | | | | |
| 37. | A-8409 | Spring | 1 | | | | |
| 38. | A-9205 | Ball (ø3/8") | 1 | | | | |
| 39. | A-5009 | Oil Seal (SC30x40x6) | 2 | | | | |
| 40. | A-6009 | O-Ring (P21) | 1 | | | | |

SADDLES : ASSEMBLIES



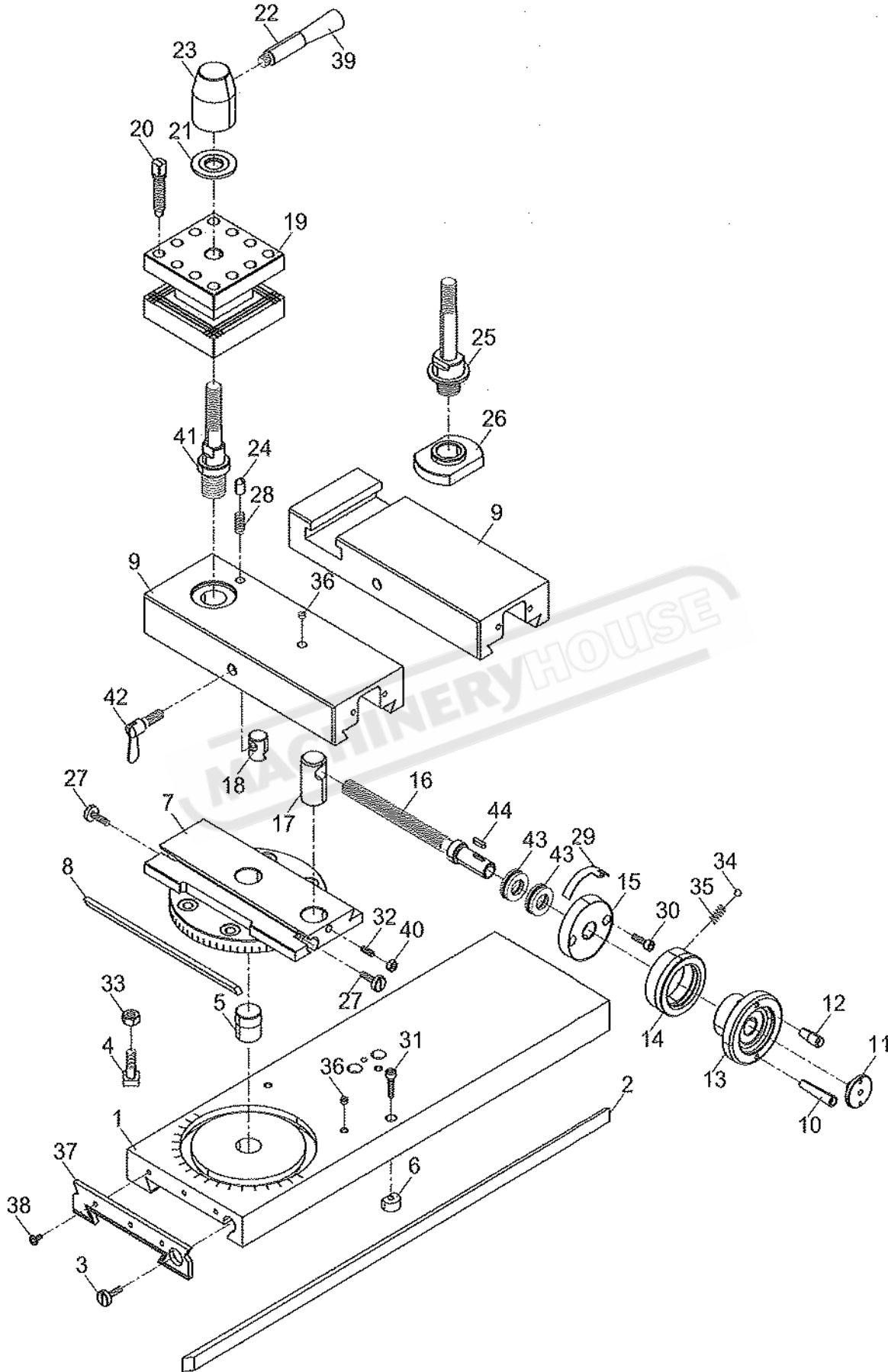
| <u>NO.</u> | <u>PART NO.</u> | <u>DESCRIPTION</u> | <u>QUANTITY</u> | <u>NO.</u> | <u>PART NO.</u> | <u>DESCRIPTION</u> | <u>QUANTITY</u> |
|------------|-----------------|-----------------------------------|-----------------|------------|-----------------|-----------------------------------|-----------------|
| 1. | C-4001 | Saddle Casting | 1 | 36. | A-1213 | Socket Head Cap Screw (M8x20) | 4 |
| 2. | A-7209 | Key (5x5x35) | 1 | 37. | A-1104 | Socket Headless Set Screw (M6x20) | 1 |
| 3. | C-4002 | Keep Assembly | 1 | 38. | A-1106 | Socket Headless Set Screw (M8x8) | 1 |
| 4. | C-4003 | Collar | 1 | 39. | A-1605 | Cross Recessed Head Screw (M5x10) | 8 |
| 5. | C-4004 | Bracket | 1 | 40. | A-1215 | Socket Head Cap Screw (M8x30) | 8 |
| 6. | C-4005-2 | Handwheel | 1 | 41. | A-1100 | Socket Headless Set Screw (M6x6) | 1 |
| 7. | C-4006-1 | Index Ring (Metric) | 1 | 42. | A-1214 | Socket Head Cap Screw (M8x25) | 2 |
| | C-4006-2 | Index Ring (Inches) | 1 | 43. | A-2000 | Bearing (#1528) | 2 |
| | C-4006-4 | Index Ring (Dual Dial):Inches | 1 | 44. | A-2001 | Bearing (#AS2035) | 2 |
| | C-4006-3 | Index Ring (Dual Dial): Metric | 1 | 45. | A-1734 | Nylon Nut (M12xP1.25) | 1 |
| 8. | C-4007 | Pinion | 1 | | | | |
| 9. | C-3032 | Plug | 1 | 46. | A-1701 | Nut (M8) | 1 |
| 10. | C-4009 | Collar | 1 | 47. | A-7202 | Key (4x4x15) | 1 |
| | | | | 48. | A-9202 | Ball (ϕ 1/4") | 2 |
| 11. | C-4011 | Handle | 1 | 49. | A-8410 | Spring | 2 |
| 12. | C-4012-1 | Leadscrew (Metric) | 1 | 50. | A-4009 | Pin (5x40) | 2 |
| | C-4012-2 | Leadscrew (Inches) | 1 | | | | |
| 13. | C-4013-1 | Nut Assembly (Metric) | 1 | 51. | A-1131 | Socket Headless Set Screw (M6x25) | 3 |
| | C-4013-2 | Nut Assembly (Inches) | 1 | 52. | A-1700 | Nut (M6) | 3 |
| 14. | C-4014-1 | Nut Assembly (Metric) | 1 | 53. | A-1509 | Round Head Cap Screw (M5x10) | 3 |
| | C-4014-2 | Nut Assembly (Inches) | 1 | 54. | C-4047 | Gib Screw | 1 |
| 15. | C-4015 | Gib | 1 | 55. | A-1513 | Round Head Screw (M4x5) | 1 |
| 16. | C-4016 | Guide Plate | 1 | | | | |
| 17. | C-4017 | Shield | 1 | | | | |
| 18. | C-4018 | Shield | 1 | | | | |
| 19. | C-8033 | Spacer | 1 | | | | |
| 20. | C-4020 | Strip (Front) | 1 | | | | |
| 21. | C-4021 | Gib (Front) | 1 | | | | |
| 22. | C-4020-1 | Strip (Rear) | 1 | | | | |
| 23. | C-4021-1 | Gib (Rear) | 1 | | | | |
| 24. | C-4022 | Clamp | 1 | | | | |
| 25. | A-1134 | Socket Headless Set Screw (M8x40) | 1 | | | | |
| 26. | A-1253 | Socket Head Cap Screw (M12x70) | 1 | | | | |
| 27. | C-4026 | Washer | 3 | | | | |
| 28. | A-4023 | Pin (ϕ 3x6) | 1 | | | | |
| 29. | C-4030 | Shaft | 1 | | | | |
| 30. | C-4031 | Gear | 1 | | | | |
| 31. | C-4032 | Gib Screw | 1 | | | | |
| 32. | C-4033 | Flat Whipper | 2 | | | | |
| 33. | C-4034 | Vee Whipper | 2 | | | | |
| 34. | A-9503 | Plug | 1 | | | | |
| 35. | A-1243 | Socket Head Cap Screw (M10x65) | 4 | | | | |

SADDLE LUBRICATION



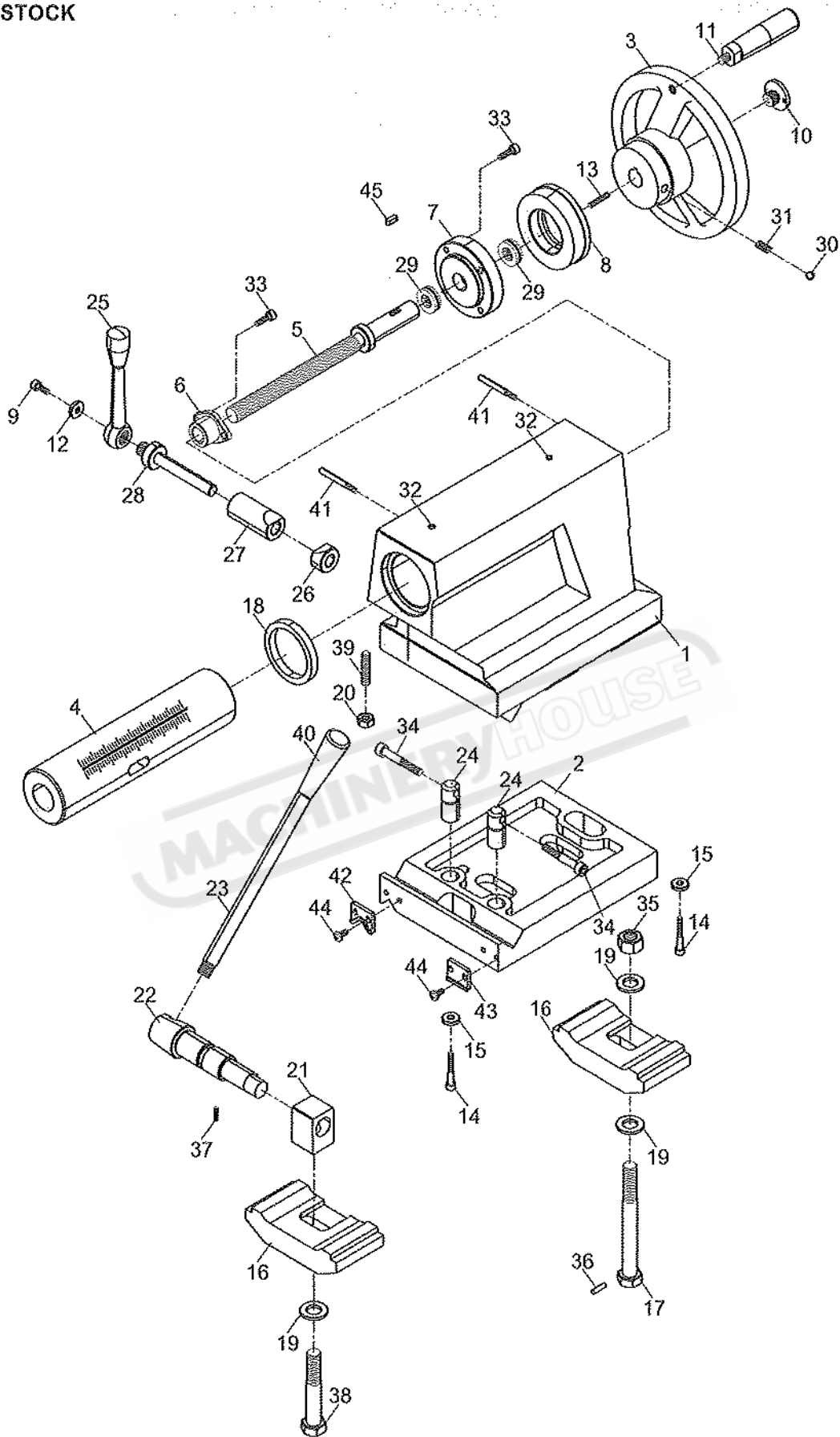
| <u>NO.</u> | <u>PART NO.</u> | <u>DESCRIPTION</u> | <u>QUANTITY</u> |
|------------|-----------------|-----------------------------------|-----------------|
| 1. | C-4036 | Cover | 1 |
| 2. | C-4037 | Axle | 1 |
| 3. | C-4038 | Button | 1 |
| 4. | C-4039 | Pump | 1 |
| 5. | C-4040 | Plug | 1 |
| 6. | A-9619 | Joint | 1 |
| 7. | A-6016 | O-Ring (AS568-024) | 1 |
| 8. | NC-40 | Name Plate | 1 |
| 9. | A-9313 | Tube | 2 |
| 10. | A-9308 | Inlet Valve | 1 |
| 11. | A-6000 | O-Ring (P7) | 1 |
| 12. | A-6002 | O-Ring (P10A) | 1 |
| 13. | A-1509 | Cross Recessed Head Screw (M5×10) | 1 |
| 14. | A-8412 | Spring | 1 |
| 15. | A-8413 | Spring | 1 |
| 16. | A-9206 | Ball(φ 3/16") | 1 |
| 17. | A-9317 | Clamp | 1 |
| 18. | A-9311 | Nut | 2 |
| 19. | A-9312 | By-pass | 1 |
| 20. | A-9315 | Sleeve | 1 |
| 21. | A-9205 | Ball(φ 3/8") | 1 |
| 22. | A-9610 | Jointer (6mm) | 1 |
| 23. | A-9634 | Nut | 3 |
| 24. | A-1509 | Round Head Cap Screw (M5×10) | 4 |

SADDLES : ASSEMBLIES



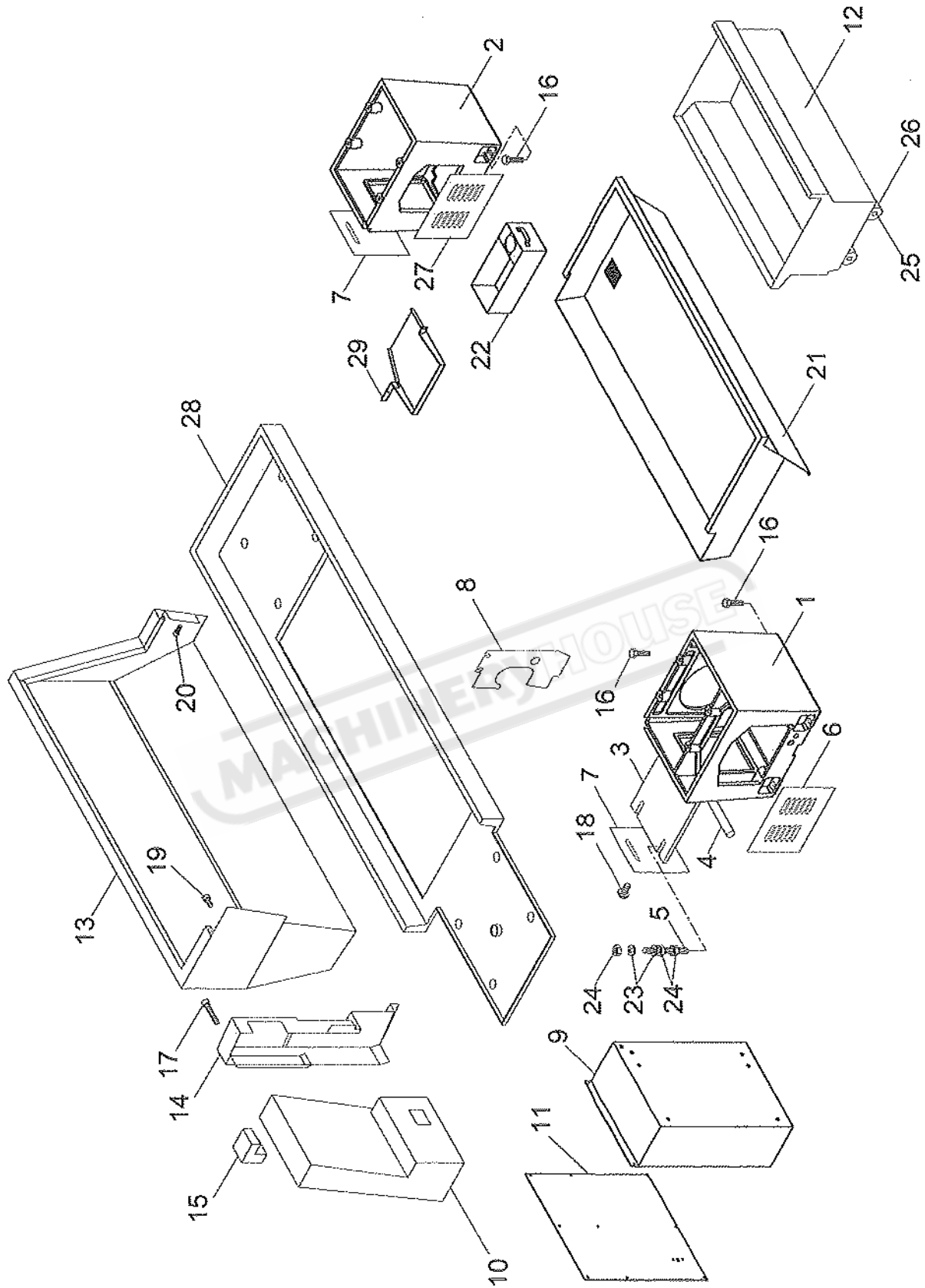
| <u>NO.</u> | <u>PART NO.</u> | <u>DESCRIPTION</u> | <u>QUANTITY</u> | <u>NO.</u> | <u>PART NO.</u> | <u>DESCRIPTION</u> | <u>QUANTITY</u> |
|------------|-----------------|-----------------------------------|-----------------|------------|-----------------|-----------------------------------|-----------------|
| 1. | C-5001 | Cross Slide Assembly | 1 | 36. | A-9300 | Oilers (1/4") | 6 |
| 2. | C-5002 | Gib | 1 | 37. | C-5029 | Wipper | 1 |
| 3. | C-4032 | Gib Screw | 2 | 38. | A-1509 | Cross Recessed Head Screw (M5x10) | 3 |
| 4. | C-5004 | Bolts | 4 | 39. | A-9107 | Handle | 1 |
| 5. | C-5005 | Pivot | 1 | 40. | A-1700 | Nut (M6) | 2 |
| 6. | C-5006 | Locking Pad | 1 | 41. | C-5022 | Top Slide Stud | 1 |
| 7. | C-5007 | Swivel Slide | 1 | 42. | A-4516 | Handle Set Screw (M8) | 1 |
| 8. | C-5008 | Gib | 1 | 43. | A-2021 | Bearing (51103) | 2 |
| 9. | C-5009 | Top Slide | 1 | 44. | A-7202 | Key (4x4x15) | 1 |
| | C-5009-2 | Slotted Top Slide | 1 | | | | |
| 10. | C-5010 | Long Handle | 1 | | | | |
| 11. | C-5011 | Plug | 1 | | | | |
| 12. | C-5012 | Short Handle | 1 | | | | |
| 13. | C-5013-2 | Handwheel Assembly | 1 | | | | |
| 14. | C-5014-1 | Index Ring (Metric) | 1 | | | | |
| | C-5014-2 | Index Ring (Inch) | 1 | | | | |
| | C-5014-7 | Index Ring (Dual Dial) (Metric) | 1 | | | | |
| | C-5014-8 | Index Ring (Dual Dial) (Inch) | 1 | | | | |
| 15. | C-5015 | Keep Assembly | 1 | | | | |
| 16. | C-5017-1 | Leadscrew (Metric) | 1 | | | | |
| | C-5017-2 | Leadscrew (Inch) | 1 | | | | |
| 17. | C-5018-1 | Nut (Metric) | 1 | | | | |
| | C-5018-2 | Nut (Inch) | 1 | | | | |
| 18. | C-5019 | Pad | 1 | | | | |
| 19. | C-5023-2 | 4 Way Toolpost | 1 | | | | |
| 20. | C-5024-2 | Square Head Screws | 12 | | | | |
| 21. | C-5025 | Washer | 1 | | | | |
| 22. | C-5026-1 | Handle | 1 | | | | |
| 23. | C-5027-1 | Handle Boss | 1 | | | | |
| 24. | C-5028 | Stoper | 1 | | | | |
| 25. | C-9062 | Slotted Top Slide Stud | 1 | | | | |
| 26. | C-9063 | Slotted Top Slide Nut | 1 | | | | |
| 27. | C-4032 | Gib Screw | 2 | | | | |
| 28. | A-8512 | Spring | 1 | | | | |
| 29. | NC-30 | Marking Plate (Dual Dial Only) | 1 | | | | |
| 30. | A-1204 | Socket Head Cap Screw (M6x20) | 2 | | | | |
| 31. | A-1205 | Socket Head Cap Screw (M6x25) | 1 | | | | |
| 32. | A-1103 | Socket Headless Set Screw (M6x20) | 2 | | | | |
| 33. | A-1708 | Nut (3/8") | 4 | | | | |
| 34. | A-9202 | Ball (ϕ 1/4") | 2 | | | | |
| 35. | A-8411 | Spring | 2 | | | | |

TAILSTOCK



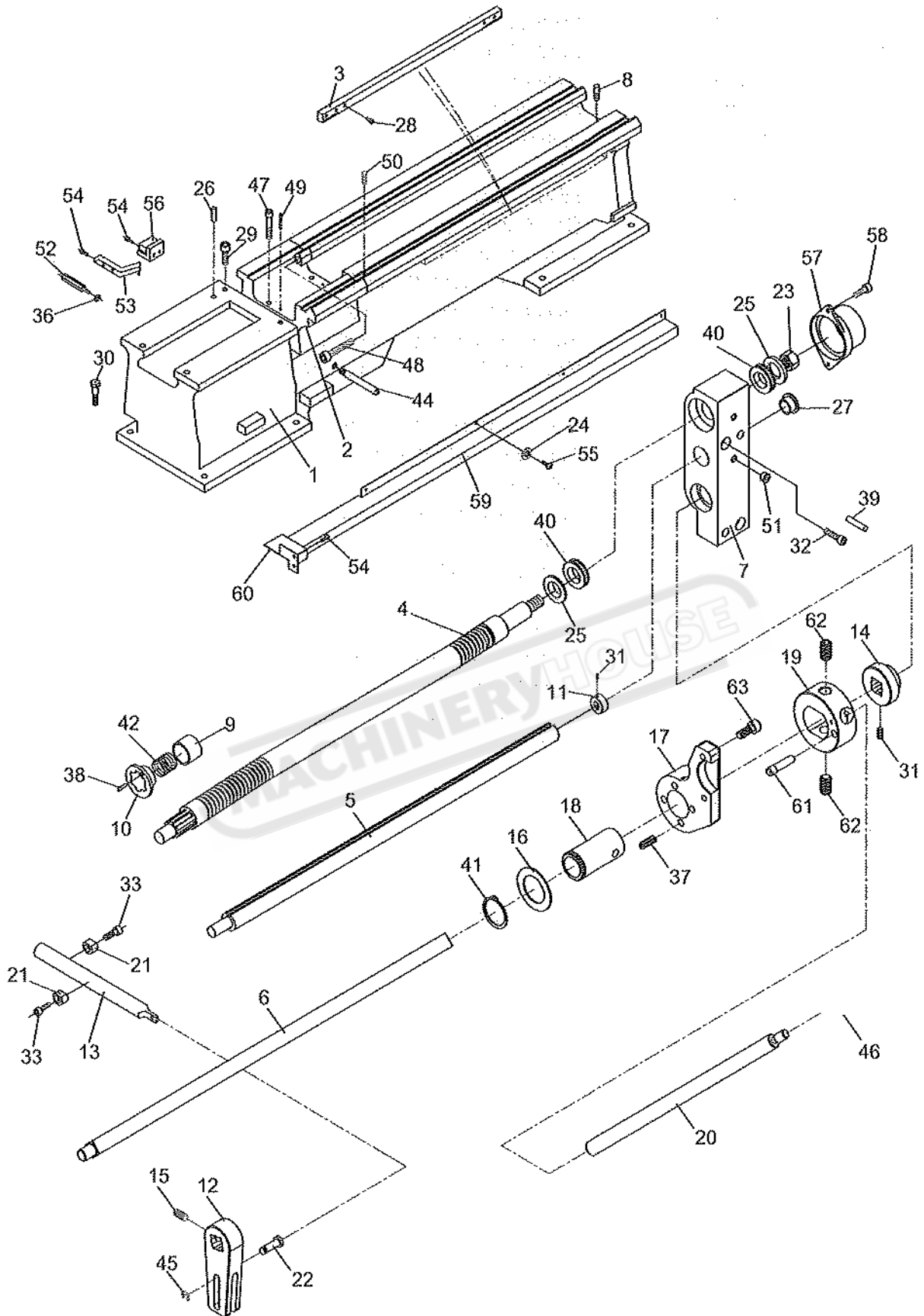
| <u>NO.</u> | <u>PART NO.</u> | <u>DESCRIPTION</u> | <u>QUANTITY</u> | <u>NO.</u> | <u>PART NO.</u> | <u>DESCRIPTION</u> | <u>QUANTITY</u> |
|------------|-----------------|------------------------------------|-----------------|------------|-----------------|-----------------------------------|-----------------|
| 1. | C-6001 | Tailstock Casting | 1 | 41. | C-6026 | Stoper | 2 |
| 2. | C-6002 | Tailstock Base | 1 | 42. | C-6035 | Wippers (Vee) | 2 |
| 3. | C-6003 | Handwheel | 1 | 43. | C-6036 | Wippers (Flat) | 2 |
| 4. | C-6004 | Barrel | 1 | 44. | A-1605 | Recessed Flial Head Screw (M5x10) | 8 |
| 5. | C-6005-1 | Leadscrew (Metric) | 1 | 45. | A-7205 | Key (5x5x15) | 1 |
| | C-6005-2 | Leadscrew (Inch) | 1 | | | | |
| 6. | C-6006-1 | Nut (Metric) | 1 | | | | |
| | C-6006-2 | Nut (Metric) | 1 | | | | |
| 7. | C-6007 | Keeper | 1 | | | | |
| 8. | C-6008-1 | Index Ring (Metric) | 1 | | | | |
| | C-6008-2 | Index Ring (Inch) | 1 | | | | |
| 9. | A-1203 | Socket Head Cap Screw (M6x16) | 1 | | | | |
| 10. | C-3032 | Plug | 1 | | | | |
| 11. | C-3034 | Handle | 1 | | | | |
| 12. | R-1030 | Washer | 1 | | | | |
| 13. | A-1105 | Socket Headless Set Screw (M6x30) | 1 | | | | |
| 14. | A-1208 | Socket Head Cap Screw (M6x40) | 2 | | | | |
| 15. | R-1030 | Washers | 2 | | | | |
| 16. | C-6015 | Clamp Plate | 2 | | | | |
| 17. | A-1437 | Hexagon Head Bolt (M16x140) | 1 | | | | |
| 18. | A-5025 | Oil Seal (58.72.9) | 1 | | | | |
| 19. | A-1907 | Washer (ϕ 16) | 3 | | | | |
| 20. | A-1702 | Nut (M10) | 1 | | | | |
| 21. | C-6022 | Pivot Block | 1 | | | | |
| 22. | C-6023 | Crank Shaft | 1 | | | | |
| 23. | C-6024 | Lever | 1 | | | | |
| 24. | C-6025 | Pins | 2 | | | | |
| 25. | C-6029 | Handle | 1 | | | | |
| 26. | C-6030 | Clamp Bush | 1 | | | | |
| 27. | C-6031 | Clamp Bush | 1 | | | | |
| 28. | C-6032 | Shaft | 1 | | | | |
| 29. | A-2022 | Thrust Bearing (#51104) | 2 | | | | |
| 30. | A-9202 | Ball (ϕ 1/4") | 2 | | | | |
| 31. | A-8414 | Spring | 2 | | | | |
| 32. | A-9300 | Oilers (ϕ 1/4") | 2 | | | | |
| 33. | A-1204 | Socket Head Cap Screw (M6x20) | 6 | | | | |
| 34. | A-1261 | Socket Head Cap Screw (M8x55) | 2 | | | | |
| 35. | A-1720 | Nut (M16) | 1 | | | | |
| 36. | A-4005 | Pin (ϕ 5x20) | 1 | | | | |
| 37. | A-1130 | Socket Headless Set Screw (M5x15) | 1 | | | | |
| 38. | A-1430 | Hexagon Head Bolt (M16x90) | 1 | | | | |
| 39. | A-1132 | Socket Headless Set Screw (M10x40) | 1 | | | | |
| 40. | A-9107 | Handles | 1 | | | | |

CABINET & PANELS



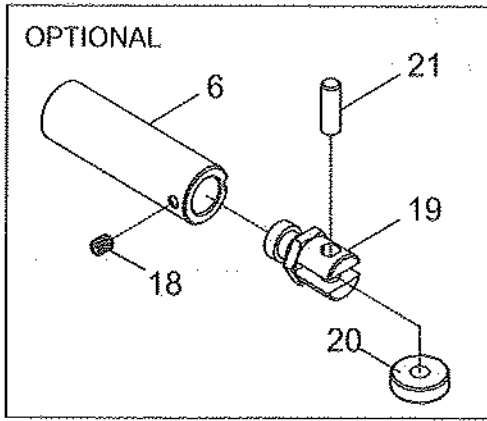
| <u>NO.</u> | <u>PART NO.</u> | <u>DESCRIPTION</u> | <u>QUANTITY</u> |
|------------|-----------------|--|-----------------|
| 1. | C-7001 | Plinth , Head-End | 1 |
| 2. | C-7002 | Plinth , Tail-End | 1 |
| 3. | C-7003 | Platform | 1 |
| 4. | C-7004 | Adjusted Rod | 1 |
| 5. | C-7005 | Adjusted Screw | 2 |
| 6. | T-7037 | Motor Cover | 1 |
| 7. | C-7008 | Rear Cover | 2 |
| 8. | C-7013 | Gearbox Guard | 1 |
| 9. | C-8025 | Electrical Cabinet (Standard) | 1 |
| 10. | C-8107 | Electrical Cabinet (CE Model) | 1 |
| | C-8107-1 | Electrical Cabinet (VS Model) | 1 |
| | C-8107-2 | Electrical Cabinet (CE Model W/Clutch) | 1 |
| 11. | C-8031 | Electrical Cabinet Cover (Standard) | 1 |
| 12. | C-7035 | Chip Trolley (OPTIONAL) | 1 |
| 13. | C-7019 | Splash Guard | 1 |
| | C-7019-1 | Splash Guard (Extra Deepth) | 1 |
| 14. | C-7020 | Brake Guard | 1 |
| 15. | C-8038 | Meter Box (VS Model Only) | 1 |
| 16. | A-1428 | Hexagon Head Bolt (M16x65L) | 16 |
| 17. | A-1256 | Socket Head Cap Screw (M8x85L) | 3 |
| 18. | A-1512 | Cross Recessed Head Screw (M6x12L) | 16 |
| 19. | A-1202 | Socket Head Cap Screw (M6x12L) | 2 |
| 20. | A-1204 | Socket Head Cap Screw (M6x20L) | 2 |
| 21. | C-7018 | Chip Tray | 1 |
| 22. | C-9029 | Coolant Tank | 1 |
| 23. | A-1905 | Washer (ø/2") | 4 |
| 24. | A-1703 | Nut (M12) | 6 |
| 25. | J-7025 | Wheel Shaft (OPTIONAL) | 4 |
| 26. | J-7026 | Wheel (OPTIONAL) | 4 |
| 27. | T-7037 | Cover & Door | 1 |
| 28. | C-7016 | Tray | 1 |
| | C-7016-1 | Tray (CE & VS Model) | 1 |
| 29. | C-7014 | Chute | 1 |

BED & SHAFTS

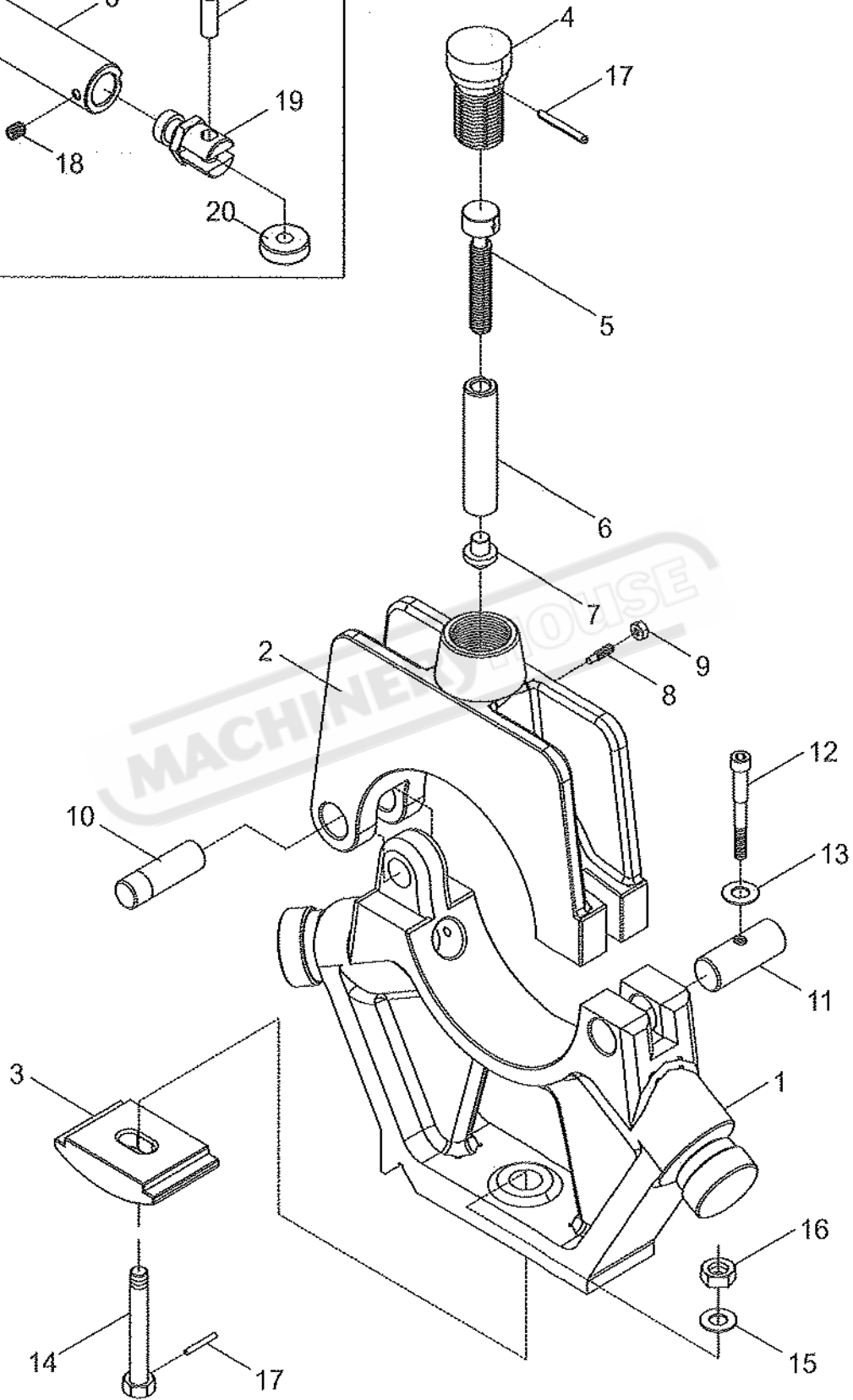


| <u>NO.</u> | <u>PART NO.</u> | <u>DESCRIPTION</u> | <u>QUANTITY</u> | <u>NO.</u> | <u>PART NO.</u> | <u>DESCRIPTION</u> | <u>QUANTITY</u> |
|------------|-----------------|------------------------------------|-----------------|------------|-----------------|--------------------------------------|-----------------|
| 1. | C-8801-1 | Gap Bed (760/1000/1250) | 1 | 41. | A-3313 | Circlip (S32) | 1 |
| | C-8801-2 | Straight Bed (760/1000/1250) | 1 | 42. | A-8415 | Spring | 1 |
| 2. | C-8001-2 | Gap Piece | 1 | 43. | A-8416 | Spring | 1 |
| 3. | C-8002 | Rack Set (760/1000/1250) | 1 | 44. | C-3096 | Stop Pin | 1 |
| 4. | C-8003-1 | Leadscrew (Metric) (760/1000/1250) | 1 | 45. | A-3102 | Circlip (E8) | 1 |
| | C-8003-2 | Leadscrew (Inch) (760/1000/1250) | 1 | | | | |
| 5. | C-8004 | Feed Shaft (760/1000/1250) | 1 | 46. | A-9110 | Handle | 1 |
| | | | | 47. | A-1257 | Socket Head Cap Screw (M12x55L) | 2 |
| 6. | C-8005RA | Switch Rod (760/1000/1250) | 1 | 48. | A-1181 | Socket Head Cap Screw (M8x65L) | 2 |
| 7. | C-8806RA | End Bracket | 1 | 49. | A-4205 | Pin (ø6x75) | 2 |
| 8. | C-8007 | Stop Pin | 1 | 50. | A-1100 | Socket Headless Set Screw (M6x6L) | 2 |
| 9. | C-8009 | Collar | 1 | | | | |
| 10. | C-8010 | Sleeve | 1 | 51. | A-9300 | Oiler (ø1/4") | 2 |
| | | | | 52. | T-7034 | Bolt | 2 |
| 11. | C-8011-1 | Collar | 1 | 53. | T-8024 | Flow Guard | 1 |
| 12. | C-8012RA | Connector | 1 | 54. | A-1202 | Socket Head Cap Screw (M6x12L) | 6 |
| 13. | C-8013 | Connecting Bar | 1 | 55. | A-1509 | Socket Round Head Cap Screw (M5x10L) | 6 |
| 14. | F-8028 | Collar | 1 | | | | |
| 15. | A-1123 | Socket Headless Set Screw (M8x16L) | 1 | 56. | C-8027 | Switch Plate | 1 |
| | | | | 57. | F-8008 | Cover | 1 |
| 16. | F-8021 | Washer | 1 | 58. | A-1528 | Socket Round Head Cap Screw (M4x8) | 2 |
| 17. | C-8017RA | Bracket | 1 | 59. | C-7036 | Leadscrew Cover (OPTION) | 1 |
| 18. | F-8016 | Bushing | 1 | 60. | C-7037 | Guard (OPTION) | 1 |
| 19. | F-8019 | Lever Assembly | 1 | | | | |
| 20. | F-8020 | Lever | 1 | 61. | F-8018 | Stud | 1 |
| | | | | 62. | A-1113 | Socket Headless Set Screw (M12x20L) | 2 |
| 21. | T-7024 | Tracer | 2 | 63. | A-1213 | Socket Head Cap Screw (M8x20L) | 2 |
| 22. | C-8022 | Stud | 1 | | | | |
| 23. | A-1744 | Nylon Nut (M16xP1.5) | 1 | | | | |
| 24. | A-1901 | Washer (ø1/4") | 6 | | | | |
| 25. | C-8033 | Collar | 2 | | | | |
| | | | | | | | |
| 26. | T-7003 | Pin | 1 | | | | |
| 27. | C-2075 | Plug | 1 | | | | |
| 28. | A-1205 | Socket Head Cap Screw (M6x25L) | 10 | | | | |
| 29. | A-1241 | Socket Head Cap Screw (M12x35L) | 4 | | | | |
| 30. | A-1428 | Hexagon Head Bolt (M16x65L) | 8 | | | | |
| | | | | | | | |
| 31. | A-1101 | Socket Headless Set Screw (M6x10L) | 2 | | | | |
| 32. | A-1258 | Socket Head Cap Screw (M8x35L) | 2 | | | | |
| 33. | A-1204 | Socket Head Cap Screw (M6x20L) | 2 | | | | |
| 34. | A-1203 | Socket Head Cap Screw (M6x16L) | 2 | | | | |
| 35. | A-1104 | Socket Headless Set Screw (M6x20L) | 2 | | | | |
| | | | | | | | |
| 36. | A-1701 | Nut (M8) | 2 | | | | |
| 37. | A-8219 | Spring | 4 | | | | |
| 38. | C-2048-1 | Pin | 1 | | | | |
| 39. | A-4015 | Pin (ø3/8"x38) | 2 | | | | |
| 40. | A-2022 | Bearing (#51104) | 2 | | | | |

STEADY REST-HEAVY DUTY TYPE

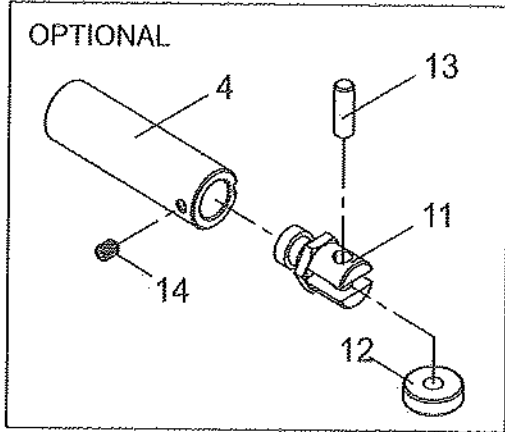


STANDARD

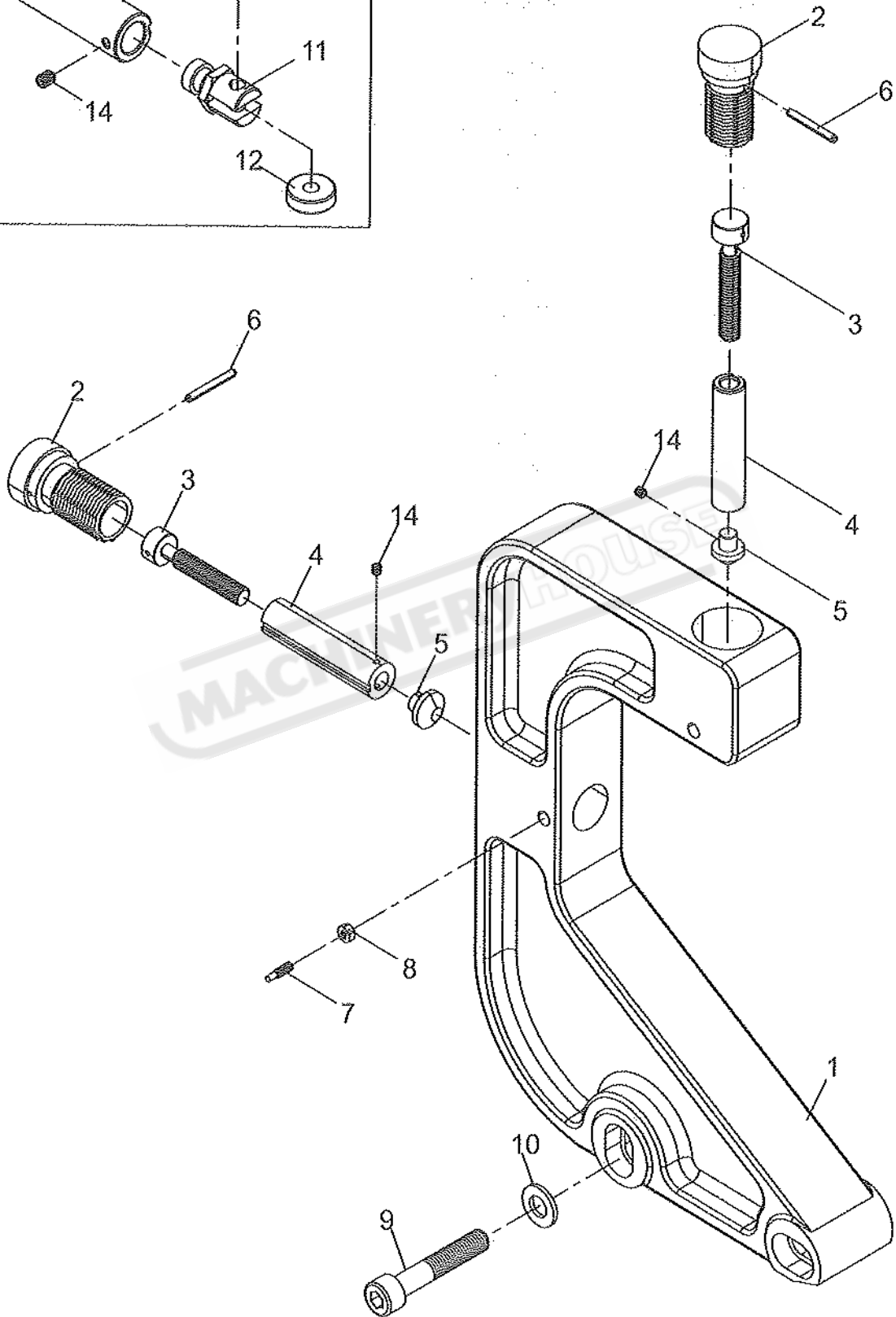


| <u>NO.</u> | <u>PART NO.</u> | <u>DESCRIPTION</u> | <u>QUANTITY</u> |
|------------|-----------------|---|-----------------|
| 1. | C-9042 | Bottom Body | 1 |
| 2. | C-9041 | Top Body | 1 |
| 3. | C-6015 | Clamp Plate | 1 |
| 4. | C-9048 | Collar | 3 |
| 5. | C-9047 | Adjusting Screw | 3 |
| 6. | C-9046 | Finger | 3 |
| 7. | C-9045 | Finger Pad | 3 |
| 8. | A-1136 | Socket Headless Set Screw (M8x25) | 3 |
| 9. | A-1701 | Nut (M8) | 3 |
| 10. | C-9040 | Pivot | 1 |
| 11. | C-9044 | Pivot | 1 |
| 12. | A-1228 | Socket Head Cap Screw (ϕ 3/8"x2 1/4") | 1 |
| 13. | A-1803 | Washer (ϕ 3/8") | 1 |
| 14. | A-1438 | Socket Head Cap Screw (M16x100) | 1 |
| 15. | A-1907 | Washer (ϕ 16) | 2 |
| 16. | A-1702 | Nut (M16) | 1 |
| 17. | A-4009 | Pin (ϕ 5x40) | 4 |
| 18. | C-9046-2 | Socket Headless Set Screw (M6x6) (Optional) | 3 |
| 19. | C-9046-1 | Roller Seat (Optional) | 3 |
| 20. | A-2039 | Bearing (6000ZZ) (Optional) | 3 |
| 21. | C-9046-2 | Pin | 3 |

FOLLOW REST



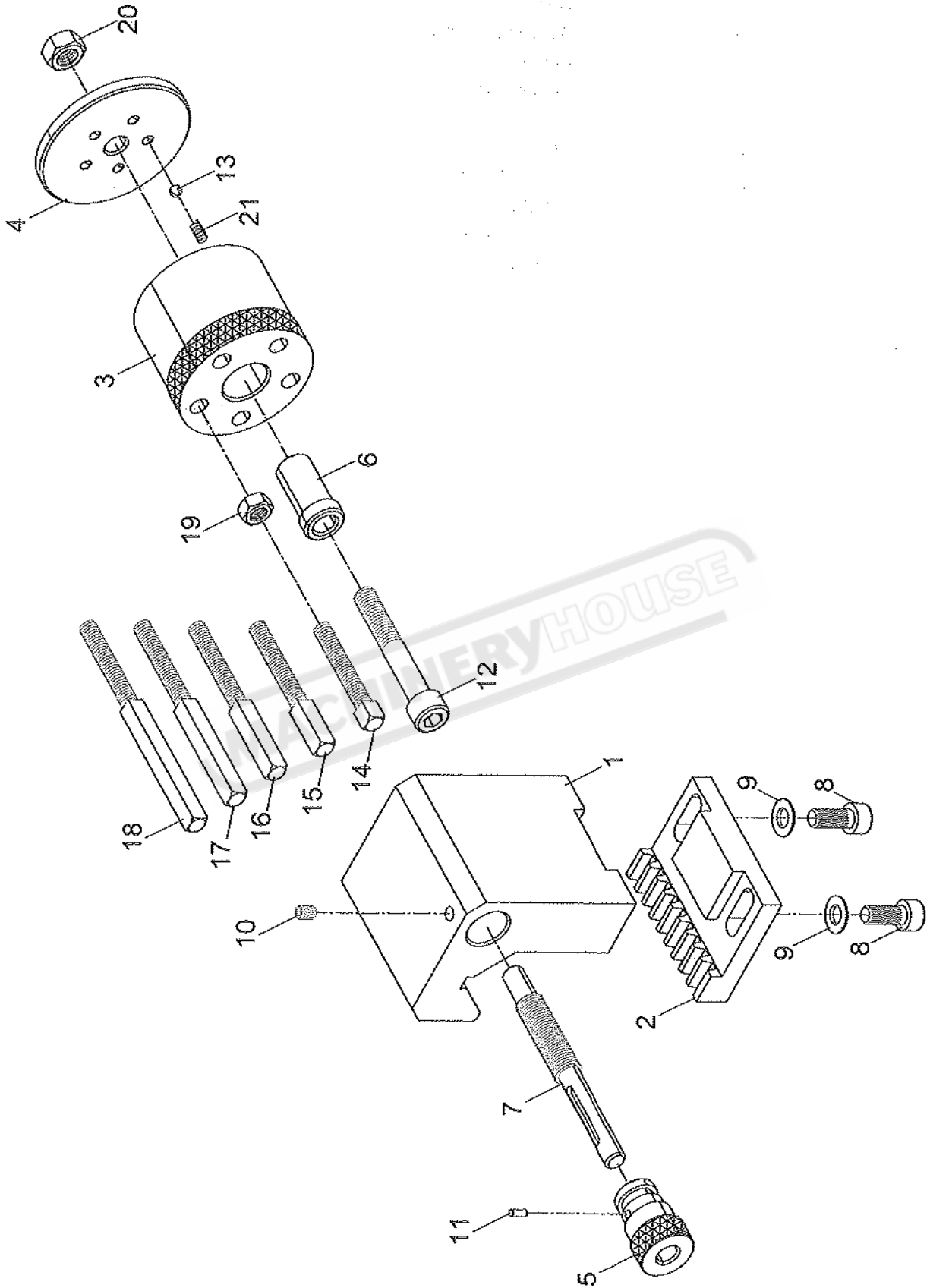
STANDARD



| <u>NO.</u> | <u>PART NO.</u> | <u>DESCRIPTION</u> | <u>QUANTITY</u> |
|------------|-----------------|--|-----------------|
| 1. | C-9049 | Body | 1 |
| 2. | C-9048 | Collar | 2 |
| 3. | C-9047 | Adjusting Screw | 2 |
| 4. | C-9046 | Finger | 2 |
| 5. | C-9045 | Finger Pad | 2 |
| 6. | A-4009 | Pin (ϕ 5x40) | 2 |
| 7. | A-1136 | Socket Headless Set Screw (M8x25) | 2 |
| 8. | A-1701 | Nut (M8) | 2 |
| 9. | A-1217 | Socket Head Cap Screw (M8x45) | 2 |
| 10. | A-1802 | Washer (ϕ 8) | 2 |
| 11. | C-9046-1 | Roller Seat (Optional) | 2 |
| 12. | A-2039 | Bearing (6000ZZ) (Optional) | 2 |
| 13. | C-9046-2 | Pin (Optional) | 2 |
| 14. | A-1100 | Socket Headless Set Screw (M6x6)(Optional) | 2 |

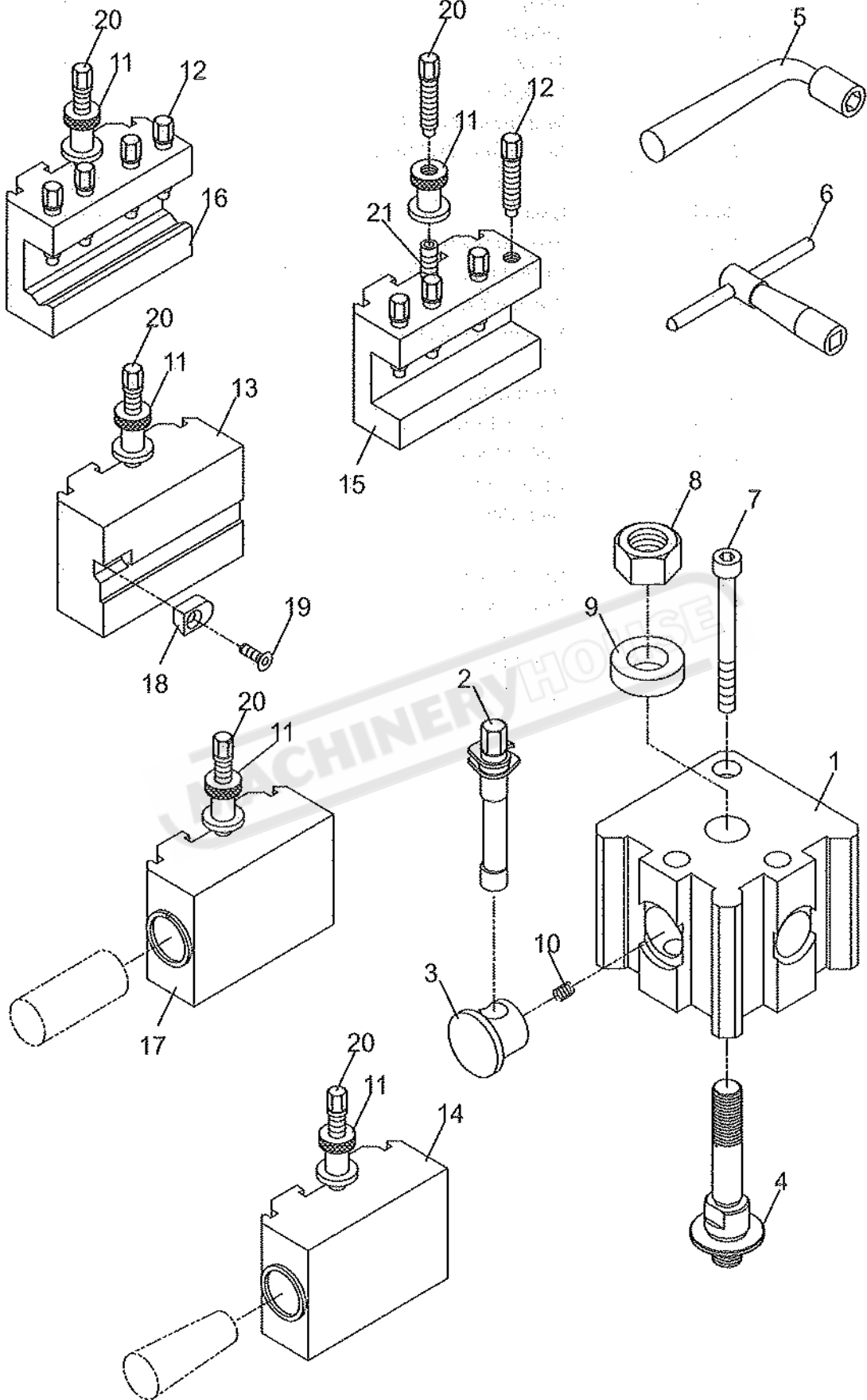
MACHINERYHOUSE

BEDSTOPS



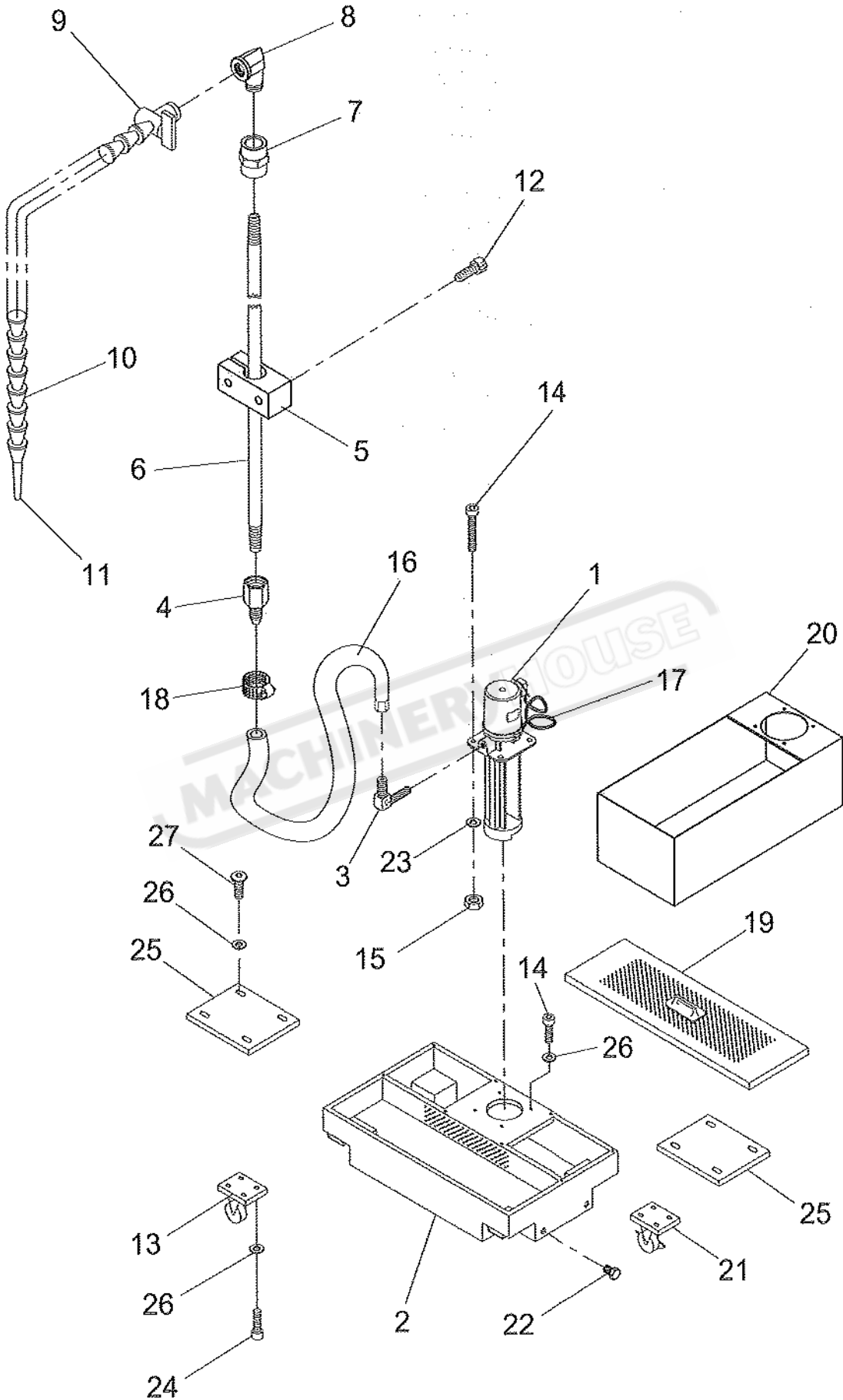
| <u>NO.</u> | <u>PART NO.</u> | <u>DESCRIPTION</u> | <u>QUANTITY</u> |
|------------|-----------------|-----------------------------------|-----------------|
| 1. | C-9001 | Body | 1 |
| 2. | C-9002 | Clamp | 1 |
| 3. | C-9053 | Turret | 1 |
| 4. | C-9054 | Backplate | 1 |
| 5. | C-9003-1 | Micrometer Dial (Metric) | 1 |
| | C-9003-2 | Micrometer Dial (Inch) | 1 |
| 6. | C-9055 | Bush | 1 |
| 7. | C-9005 | Spindle (Inch) | 1 |
| 8. | A-1213 | Socket Head Cap Screw (M8x20L) | 2 |
| 9. | A-1902 | Washer (ø8) | 2 |
| 10. | A-1139 | Socket Headless Set Screw (M6x8L) | 1 |
| 11. | A-4023 | Pin (ø3x6) | 1 |
| 12. | A-1238 | Socket Head Cap Screw (M10x55L) | 1 |
| 13. | A-9202 | Ball (ø1/4") | 1 |
| 14. | C-9056-1 | Stop Screw | 1 |
| 15. | C-9056-2 | Stop Screw (83L) | 1 |
| 16. | C-9056-3 | Stop Screw (99L) | 1 |
| 17. | C-9056-4 | Stop Screw (115L) | 1 |
| 18. | C-9056-5 | Stop Screw (134L) | 1 |
| 19. | A-1701 | Nut (M8) | 5 |
| 20. | A-1702 | Nut (M10) | 1 |
| 21. | A-8519 | Spring | 1 |

QUICK CHANGE TOOLPOST



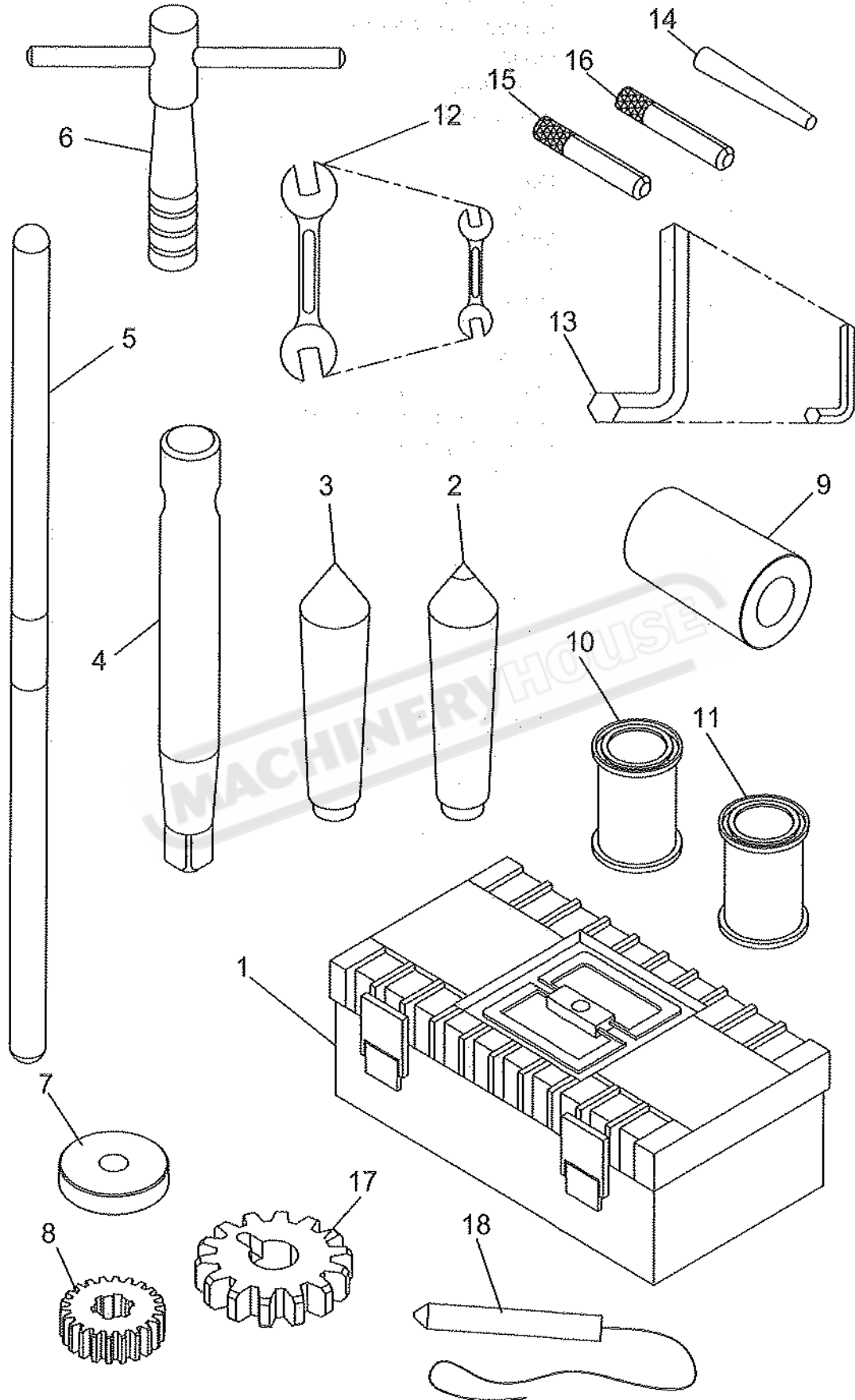
| <u>NO.</u> | <u>PART NO.</u> | <u>DESCRIPTION</u> | <u>QUANTITY</u> |
|------------|-----------------|---|-----------------|
| 1. | C-9100 | Q.C.T. Body | 1 |
| 2. | C-9102 | Toolholder Cams | 2 |
| 3. | C-9103 | Toolholder Pads | 2 |
| 4. | C-9062 | Toolpost Bolt Assembly | 1 |
| 5. | A-8528 | Toolscrew Wrench | 1 |
| 6. | A-8529 | Cam Clamp Wrench | 1 |
| 7. | A-1251 | Locating Screw (M10x75) | 1 |
| 8. | A-1720 | Nut (M16) | 1 |
| 9. | R-3011 | Washer | 1 |
| 10. | A-8424 | Spring | 2 |
| 11. | C-9106 | Adjusting Stop (On Each Toolholder) | 1 |
| 12. | C-9107 | Tool Clamp Screw (On No. 15/16 Toolholder) | 4 |
| 13. | C-9108 | Part-Off Toolholder | 1 |
| 14. | C-9109 | M.T.3 Taper Toolholder | 1 |
| 15. | C-9110 | Standard Toolholder | 1 |
| 16. | C-9111 | Boring (Vee) Toolholder | 1 |
| 17. | C-9112 | Plain Bore Toolholder | 1 |
| 18. | C-9113 | Blade Clamp | 1 |
| 19. | A-1611 | Socket Flat Head Screw (M6x20) | 1 |
| 20. | C-9107 | Height Adj. Screw (On Each Toolholder) | 1 |
| 21. | A-1138 | Socket Headless Set Screw (M10x100) (On Each Toolholder) | 1 |

COOLANT PUMP ASSEMBLY



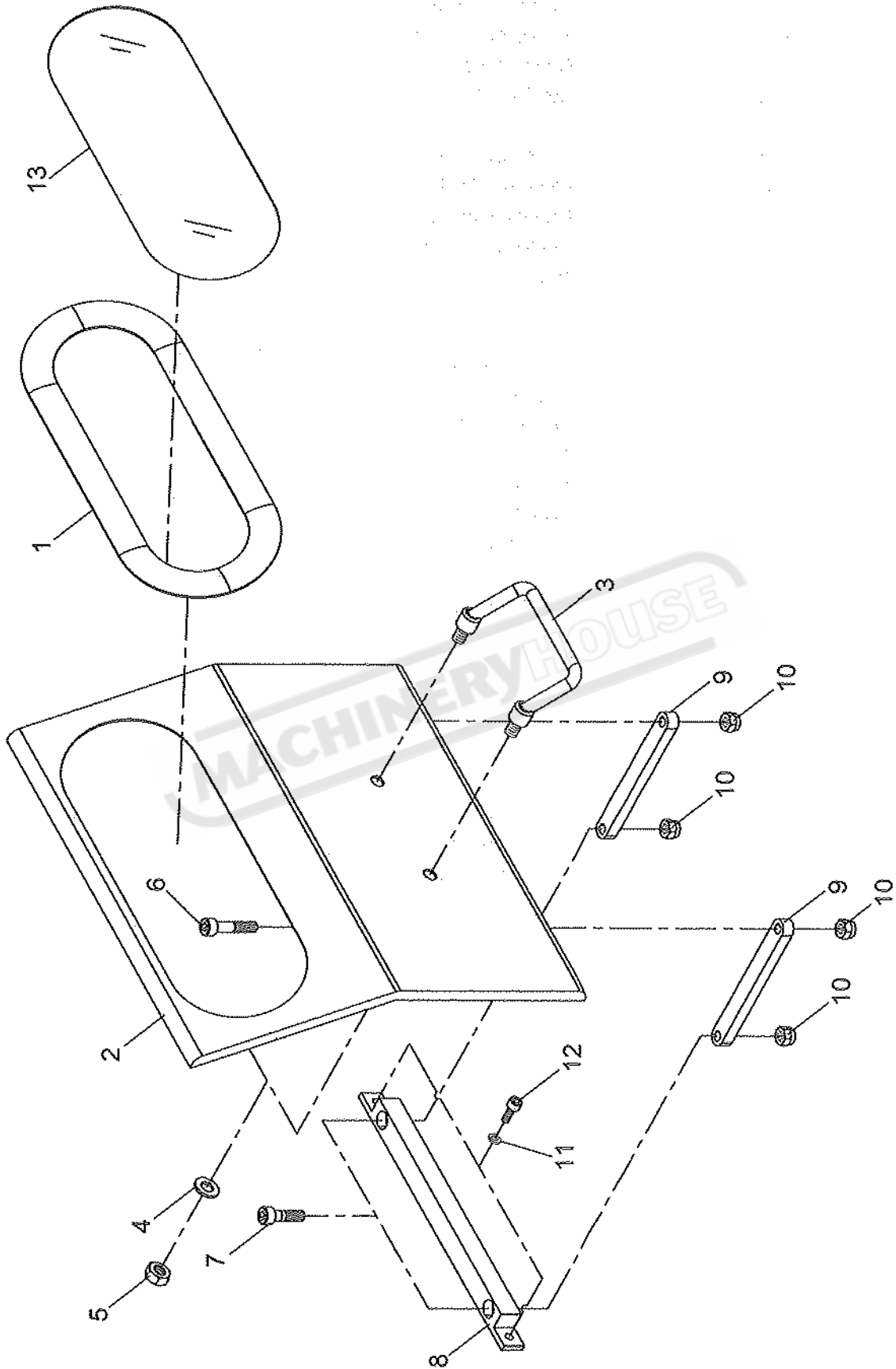
| <u>NO.</u> | <u>PART NO.</u> | <u>DESCRIPTION</u> | <u>QUANTITY</u> |
|------------|-----------------|--------------------------------------|-----------------|
| 1. | Z-1100 | (1/8HP Pump) | 1 |
| 2. | C-1174 | Coolant Tank (OPTION) | 1 |
| 3. | A-4101 | Outlet | 1 |
| 4. | A-4105 | Hose Sleeve | 1 |
| 5. | A-9651 | Pipe Bracket | 1 |
| 6. | A-4106 | Pipe | 1 |
| 7. | A-4116 | Jointer | 1 |
| 8. | A-4108 | Elbow | 1 |
| 9. | A-4107 | Valve | 1 |
| 10. | A-4117 | Join Pipe | 1 |
| 11. | A-4118 | Nozzle | 1 |
| 12. | A-1204 | Socket Head Cap Screw (M6x20L) | 2 |
| 13. | A-0379 | Roller Wheel (Caster) (OPTION) | 2 |
| 14. | A-1432 | Socket Head Cap Screw (M6x25L) | 8 |
| 15. | A-1700 | Nut (M6) | 4 |
| 16. | A-4104 | Hose | 1 |
| 17. | A-4103 | Electric Tubing | 1 |
| 18. | A-9317 | Clamp | 1 |
| 19. | C-1176 | Filter Plate (OPTION) | 1 |
| 20. | C-9029 | Coolant Tank | 1 |
| 21. | A-0378 | Roller (OPTION) | 2 |
| 22. | A-0488 | Plug (ø1/2" T) (OPTION) | 2 |
| 23. | A-1917 | Washer (ø6) | 4 |
| 24. | A-1202 | Socket Head Cap Screw (M6x12L) | 16 |
| 25. | A-0379 | Tank Cover (OPTION) | 2 |
| 26. | A-1901 | Washer (ø6) | 28 |
| 27. | A-1509 | Socket Round Head Cap Screw (M5x10L) | 8 |

SERVICE TOOLS & KITS



| <u>NO.</u> | <u>PART NO.</u> | <u>DESCRIPTION</u> | <u>QUANTITY</u> |
|------------|-----------------|------------------------------------|-----------------|
| 1. | Z-4515 | Tool Box | 1 |
| 2. | A-4509 | Tailstock Center | 1 |
| 3. | A-4510 | Headstock Center | 1 |
| 4. | A-4511 | Camlock Key | 1 |
| 5. | A-4512 | Key Handle | 1 |
| 6. | A-4506 | Toolscrew Wrench | 1 |
| 7. | T-9086 | Levelling Block | 8 |
| 8. | C-1146 | Change Gear (22T) (Metric) | 1 |
| 9. | C-1150 | Center Sleeve (M.T.#6xM.T.#4) | 1 |
| 10. | A-4513 | Touch Paint | 1 |
| 11. | A-4514 | Touch Paint | 1 |
| 12. | A-4507-1 | Spanner (22x24) | 1 |
| | A-4507-2 | Spanner (17x19) | 1 |
| | A-4507-3 | Spanner (12x14) | 1 |
| 13. | A-4508-1 | Allen Key (3mm) | 1 |
| | A-4508-2 | Allen Key (4mm) | 1 |
| | A-4508-3 | Allen Key (5mm) | 1 |
| | A-4508-4 | Allen Key (6mm) | 1 |
| | A-4508-5 | Allen Key (8mm) | 1 |
| | A-4508-6 | Allen Key (10mm) | 1 |
| 14. | C-1145 | Taper Pin | 6 |
| 15. | C-2048-1 | Pin | 2 |
| 16. | C-2065-1 | Pin | 2 |
| 17. | C-3080 | Gear (14T) (Metric Threading Dial) | 1 |
| | C-3081 | Gear (13T) (Metric Threading Dial) | 1 |
| | C-3083 | Gear (20T) (Metric Threading Dial) | 1 |
| | C-3084 | Gear (22T) (Metric Threading Dial) | 1 |
| 18. | C-1098 | Earth Bar With Cable (VS Model) | 1 |

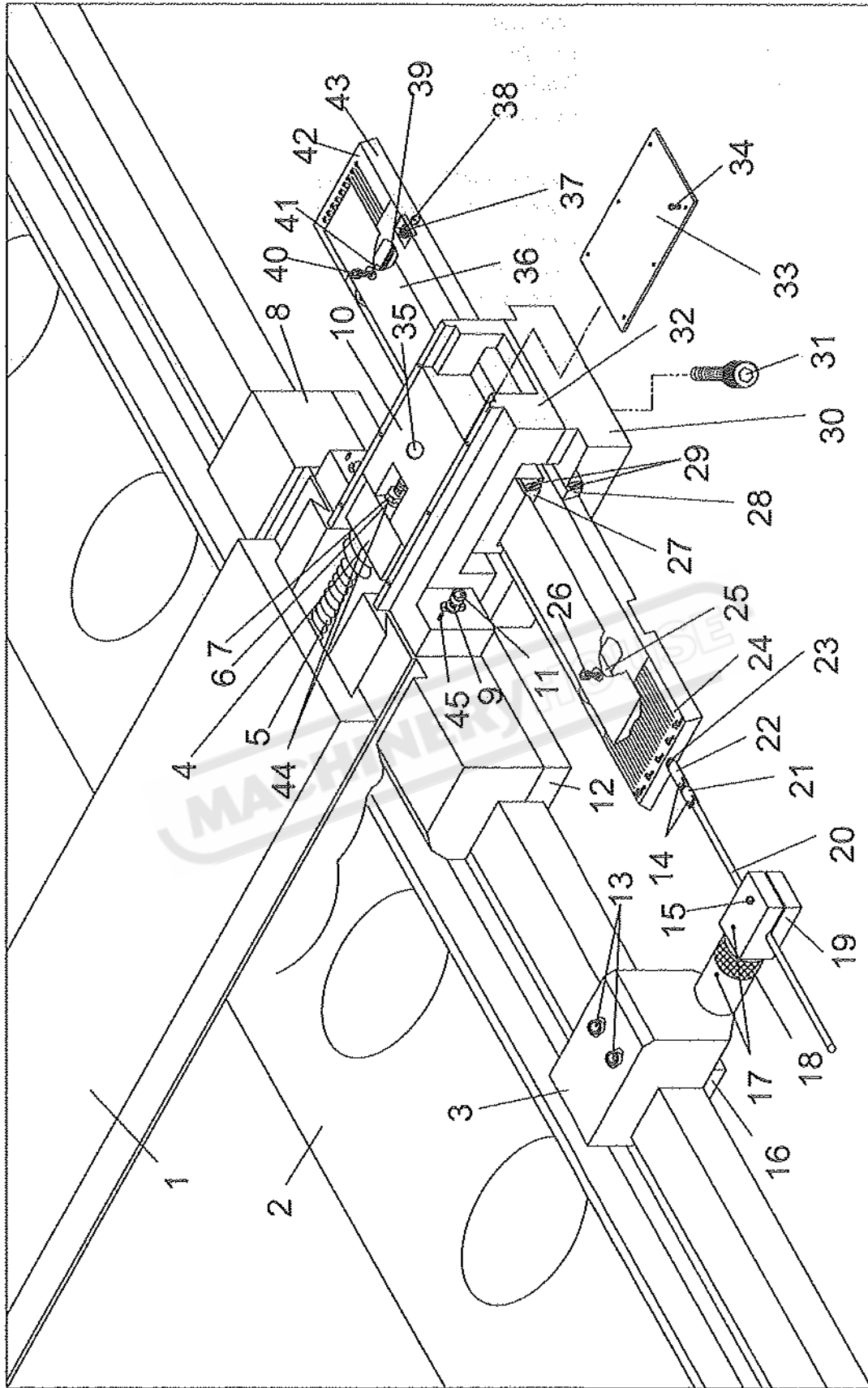
FOLLOWING CHIP GUARD (OPTIONAL)



| <u>NO.</u> | <u>PART NO.</u> | <u>DESCRIPTION</u> | <u>QUANTITY</u> |
|------------|-----------------|-------------------------------|-----------------|
| 1. | A-9118 | Strap | 1 |
| 2. | C-5041 | Chip Guard | 1 |
| 3. | A-9117 | Handle | 1 |
| 4. | A-1807 | Washer (ϕ 10) | 2 |
| 5. | A-1702 | Nut (M10) | 2 |
| 6. | A-1216 | Socket Head Cap Screw (M8x40) | 2 |
| 7. | A-1215 | Socket Head Cap Screw (M8x30) | 2 |
| 8. | C-5038 | Frame | 1 |
| 9. | R-5030 | Swivel Arm | 2 |
| 10. | A-1743 | Locking Nut | 4 |
| 11. | A-1801 | Washer (ϕ 1/4") | 2 |
| 12. | A-1203 | Socket Head Cap Screw (M6x16) | 2 |
| 13. | A-9121 | Window | 1 |

MACHINERYHOUSE

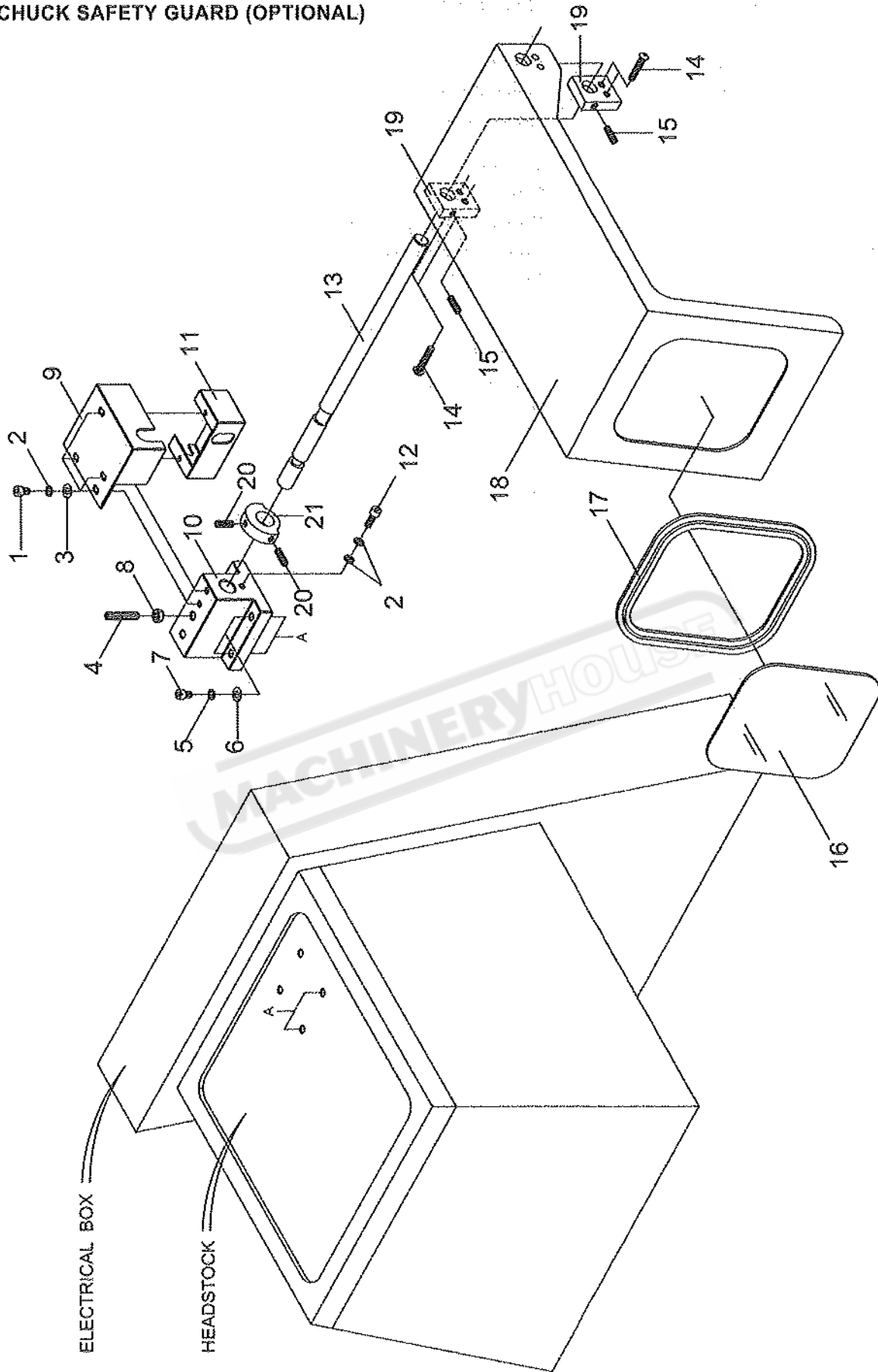
TAPER TURNING ATTACHMENT (OPTIONAL)



75

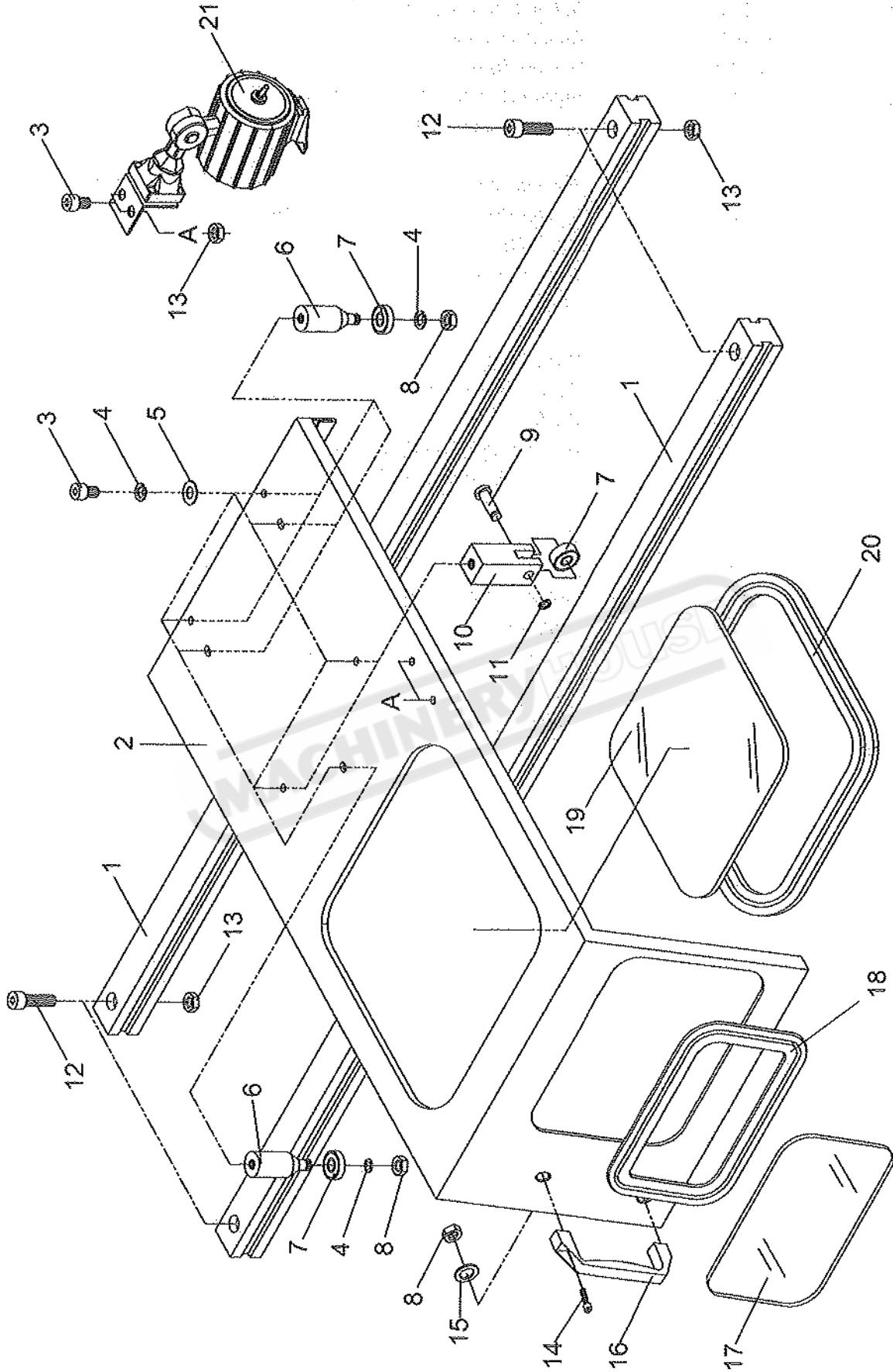
| <u>NO.</u> | <u>PART NO.</u> | <u>DESCRIPTION</u> | <u>QUANTITY</u> |
|------------|-----------------|-----------------------------------|-----------------|
| 1. | C-5001 | Cross Slide | 1 |
| 2. | C-8001 | Bed | 1 |
| 3. | C-9086 | Clamp | 1 |
| 4. | C-9079 | Guide Block | 1 |
| 5. | C-4012 | Cross Slide Leadscrew | 1 |
| 6. | C-4026 | Washer | 1 |
| 7. | A-1724 | Nylon Nut (M12) | 1 |
| 8. | C-4001 | Saddle Casting Assembly | 1 |
| 9. | A-1803 | Spring Washer (ϕ 3/8") | 2 |
| 10. | C-9078 | Slide Block | 1 |
| 11. | A-1258 | Socket Head Cap Screw (M8x35) | 2 |
| 12. | C-4020-1 | Rear Strip | 1 |
| 13. | A-1216 | Socket Head Cap Screw (M8x40) | 2 |
| 14. | A-4005 | Pin (ϕ 5x20) | 2 |
| 15. | A-1213 | Socket Head Cap Screw (M8x20) | 1 |
| 16. | C-9087 | Strip | 1 |
| 17. | A-1169 | Socket Headless Set Screw (M8x10) | 2 |
| 18. | R-9098 | Connector | 1 |
| 19. | R-9099 | Holder | 1 |
| 20. | R-9101 | Draw Bar | 1 |
| 21. | R-9106 | Jointer | 1 |
| 22. | R-9017 | Jointer | 1 |
| 23. | A-1702 | Nut (M10) | 1 |
| 24. | NC-92 | Graduated Plate | 1 |
| 25. | C-9085 | Locking Nut | 1 |
| 26. | A-1202 | Socket Head Cap Screw (M6x12) | 1 |
| 27. | C-9077 | Taper Gib | 1 |
| 28. | C-9074 | Taper Gib | 1 |
| 29. | M-9091 | Adjust Screw | 1 |
| 30. | C-9072 | Bottom | 1 |
| 31. | A-1265 | Socket Head Cap Screw (M10x45) | 4 |
| 32. | C-9071 | Bracket | 1 |
| 33. | C-9080 | Cover | 1 |
| 34. | A-1626 | Flat Head Cap Screw (M4x10) | 6 |
| 35. | C-9076 | Slide Block | 1 |
| 36. | C-9075 | Swivel Guide | 1 |
| 37. | A-4001 | Pin (ϕ 3x20) | 1 |
| 38. | C-9081 | Bush | 1 |
| 39. | C-9082 | Adjust Screw | 1 |
| 40. | A-1205 | Socket Head Cap Screw (M6x25) | 1 |
| 41. | C-9083 | Adjust Screw | 1 |
| 42. | NC-93 | Graduated Plate | 1 |
| 43. | C-9073 | Frame | 1 |
| 44. | A-2000 | Bearing (AS1528) | 1 |
| 45. | A-4007 | Pin (ϕ 5x30) | 2 |

CHUCK SAFETY GUARD (OPTIONAL)



| <u>NO.</u> | <u>PART NO.</u> | <u>DESCRIPTION</u> | <u>QUANTITY</u> |
|------------|-----------------|-------------------------------------|-----------------|
| 1. | A-1509 | Button Head Cap Screw (M5 x 10) | 4 |
| 2. | A-1813 | Spring Washer (ø5) | 6 |
| 3. | A-1909 | Washer (ø5) | 4 |
| 4. | A-1148 | Socket Headless Set Screw (M8 x 30) | 1 |
| 5. | A-1812 | Spring Washer (ø1/4") | 4 |
| 6. | A-1917 | Washer (ø6) | 4 |
| 7. | A-1205 | Socket Head Cap Screw (M6 x 25) | 4 |
| 8. | A-1701 | Nut (M8) | 1 |
| 9. | C-8142 | Switch Cover | 1 |
| 10. | C-8138 | Seat | 1 |
| 11. | C-8141 | Switch Box | 1 |
| 12. | A-1234 | Socket Head Cap Screw (M5 x 10) | 1 |
| 13. | C-8140 | Shaft | 1 |
| 14. | A-1525 | Button Head Cap Screw (M6 x 16) | 4 |
| 15. | A-1102 | Socket Headless Set Screw (M6 x 12) | 2 |
| 16. | A-9139 | Window | 1 |
| 17. | A-9140 | Strap | 1 |
| 18. | C-8137 | Chuck Safety Guard | 1 |
| 19. | C-8139 | Supporter | 2 |
| 20. | A-1101 | Socket Headless Set Screw (M6 x 10) | 2 |
| 21. | C-8138-1 | Limit Dog | 1 |

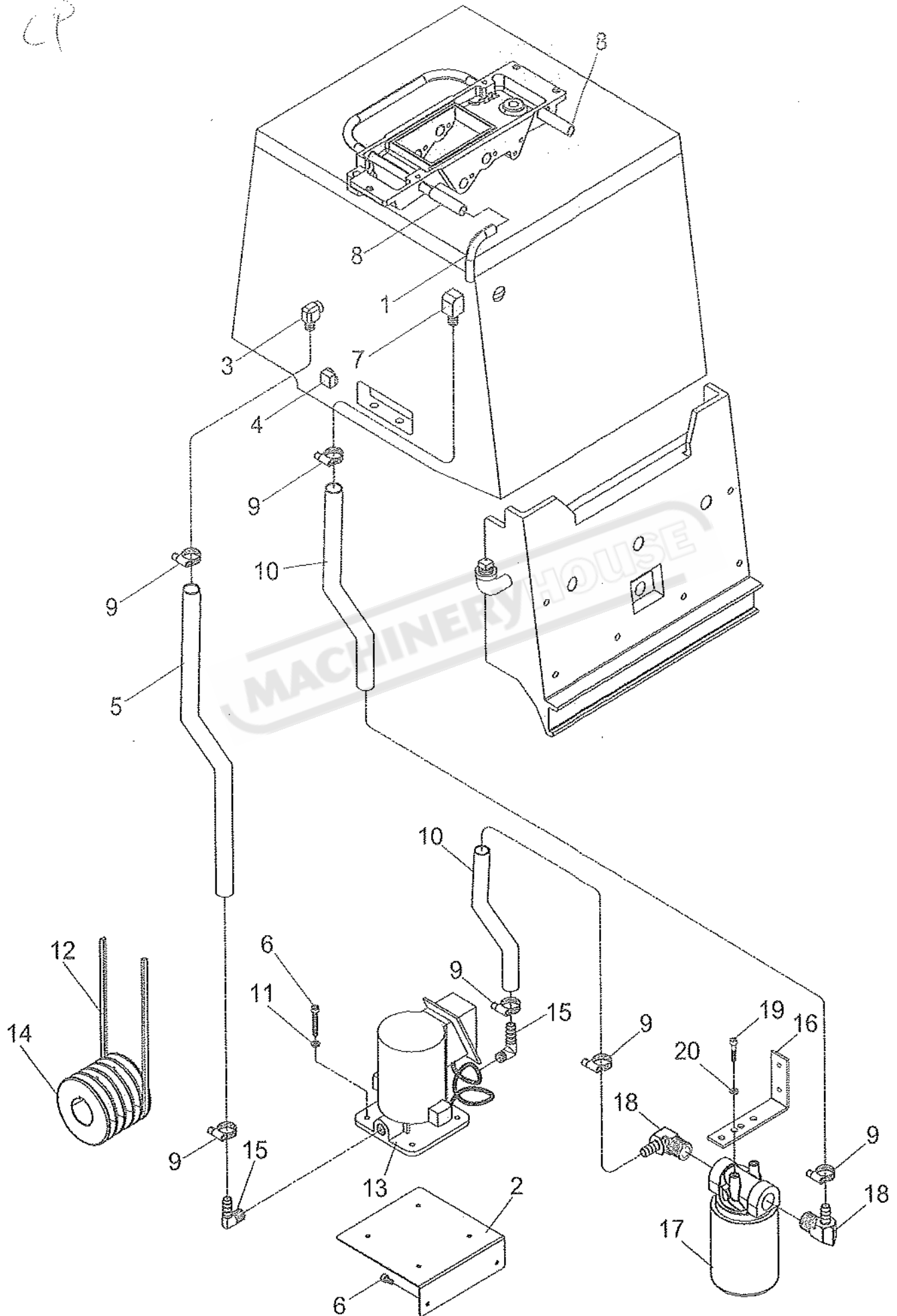
FULL LENGTH SLIDING CHIP SAFETY GUARD (OPTIONAL)



| <u>NO.</u> | <u>PART NO.</u> | <u>DESCRIPTION</u> | <u>QUANTITY</u> |
|------------|-----------------|------------------------------------|-----------------|
| 1. | C-8113 | Guidance | 2 |
| 2. | C-8112 | Chip Safety Guard | 1 |
| 3. | A-1203 | Socket Head Cap Screw (M6 x 16) | 9 |
| 4. | A-1802 | Spring Washer (ø8) | 12 |
| 5. | A-1917 | Washer (ø6) | 7 |
| 6. | C-8116 | Pivot | 5 |
| 7. | A-2044 | Bearing#608ZZ | 7 |
| 8. | A-1701 | Nut (M8) | 3 |
| 9. | M-8022 | Pivot | 2 |
| 10. | C-8115 | Guide Block | 2 |
| 11. | A-3101 | Circlip (E6) | 2 |
| 12. | A-2108 | Socket Head Cap Screw (M6 x 40) | 4 |
| 13. | A-1700 | Nut (M6) | 6 |
| 14. | A-2111 | Socket Head Cap Screw (M8 x 12) | 2 |
| 15. | A-1918 | Washer (ø8) | 2 |
| 16. | A-9124 | Handle | 1 |
| 17. | A-9141 | Window | 1 |
| 18. | A-9142 | Strap | 1 |
| 19. | A-9128 | Window | 1 |
| 20. | A-9129 | Strap | 1 |
| 21. | ZA2702 | Halogen Lamp (Optional) | 1 |
| | ZA2701 | Halogen Lamp (Long Arm / Optional) | 1 |

HEADSTOCK LUBRICATION (VARISPEED)

CP



| NO. | PART NO. | DESCRIPTION | QUANTITY |
|-----|----------|--------------------------------|----------|
| 1. | C-1154 | Connector | 1 |
| 2. | C-1183 | Frame | 1 |
| 3. | A-4154 | Elbow (3/8"PTx1/2"H) | 1 |
| 4. | A-1126 | Plug (3/4"PT) | 1 |
| 5. | A-4120 | Hose | 1 |
| 6. | A-1202 | Socket Head Cap Screw (M6x12L) | 6 |
| 7. | A-0498 | Elbow | 1 |
| 8. | A-4115 | Hoses | 2 |
| 9. | A-4111 | Clamp | 4 |
| 10. | AA9803 | Hose | 2 |
| 11. | A-1901 | Washer (ϕ 6) | 4 |
| 12. | A-0109 | Vee Belt (A-72") | 4 |
| 13. | A-4102 | Pump | 1 |
| 14. | C-7028-6 | Motor Pulley | 1 |
| 15. | A-4101 | Elbow | 2 |
| 16. | G-7071NC | Frame | 1 |
| 17. | AA9001 | Oil Strainer | 1 |
| 18. | A-4153 | Elbow (1/4"PTx1/8") | 1 |
| 19. | A-1203 | Socket Head Cap Screw (M6x16L) | 2 |
| 20. | A-1917 | Washer (ϕ 6) | 2 |

MACHINERYHOUSE